

# The OLIVER Corporation

South Bend, Ind., U. S. A.

## NO. 795 QD CULTIVATOR

(Hand Lift, 2-Row, For HG-68 Cletrac,  
Quick Detachable, Adj. 32" to 42")

(Corn, Cotton and Potato)

### ATTACHMENTS

- No. 95 Cultivator Deep Cultivation Lift Rods.
- No. 1095 Planter Attachment Lift Rod  
Pressure Spring Attachment.
- No. 95 Cultivator Stalk Cutter Attachments.
- No. 95 Cultivator Rotary Hoe Attachment.
- No. 95 QD Cultivator Weeder Attachment.
- No. 795 Cultivator Track Eradicator.

### OPTIONAL EQUIPMENT FOR TRACK ERADICATOR

- No. 52 Spring Tooth Attachment.

***NOTE: Keep this folder for future reference. It contains valuable information in regard to name and number of implement, correct assembly, operating instructions and parts identification.***



Figure 1  
No. 795 Cultivator - 3/4 Front View

## S E T T I N G   U P   I N S T R U C T I O N S

Whenever the terms right hand or left hand are used in these instructions it is understood to mean from a position behind and facing the machine. Cultivator can be set up on Cletrac HG-68 tractor or can be set up off the tractor using stands to hold up the rear end. Following instructions are for setting up cultivator on tractor.

-1-

### P R E P A R I N G   T R A C T O R   F O R   C U L T I V A T O R

Remove grill from tractor. Remove standard starting crank and replace with new starting crank assembly (Arrow 1, Figure 2). Replace grill.

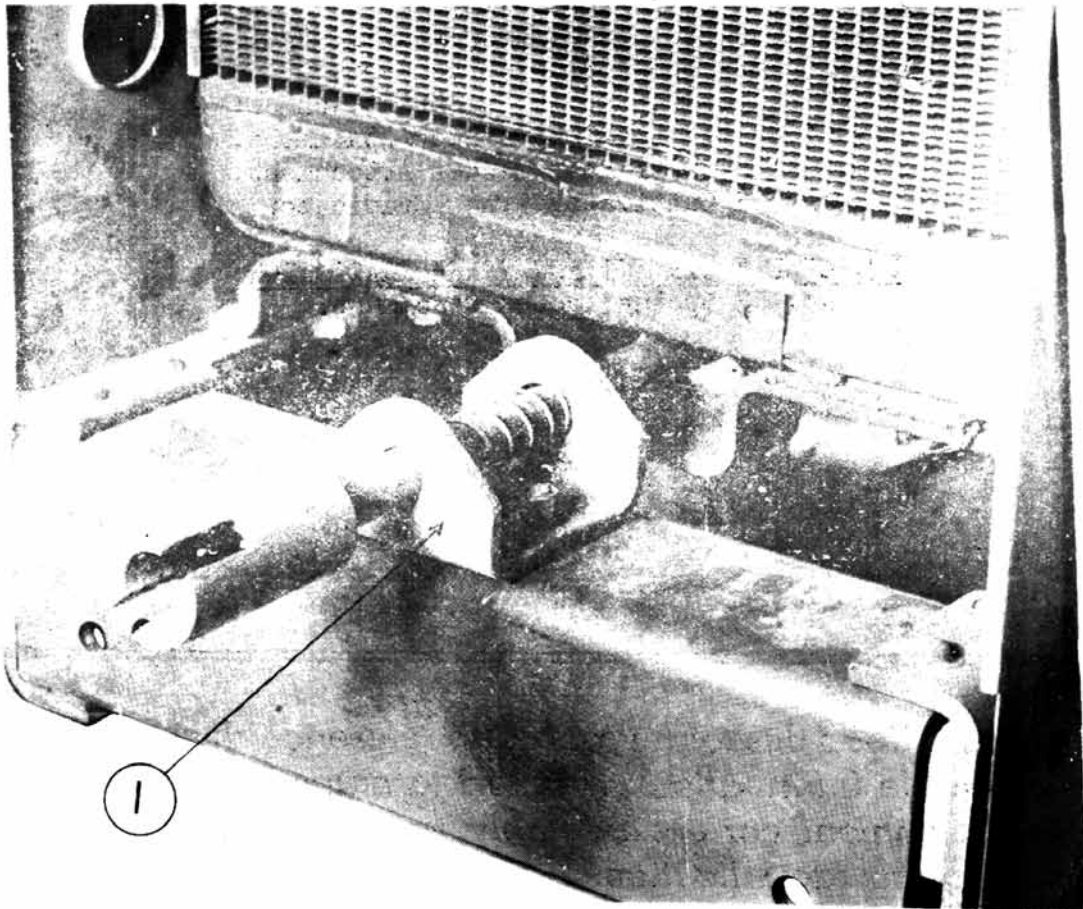


Figure 2  
New Starting Crank Assembly - Front View

BRACKETS FOR GUIDE BARS

Assemble brackets for guide bars to front frame of tractor (Arrow 2, Figure 3) using spacer on each side between bracket and tractor frame.

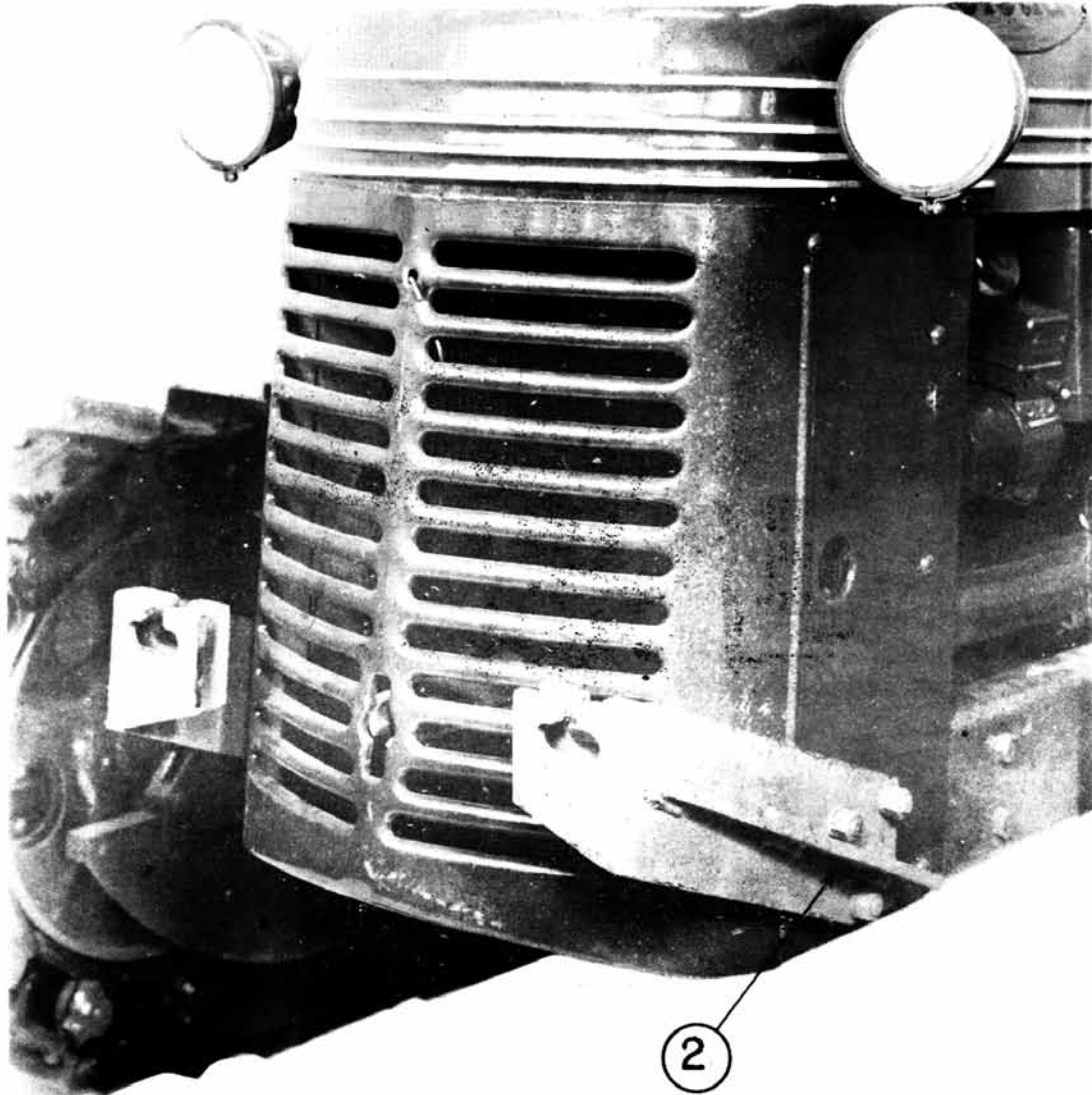


Figure 3  
Guide Bar Brackets - 3/4 Front View

REAR SUPPORT BRACKETS

Assemble rear support brackets to axle housing with U-bolts (Arrows 3 and 4, Figure 4) bracket RC-10L4 on right hand axle and RC-10L5 on left hand axle. Brackets should be set out 16 1/4" on rear axle housing.

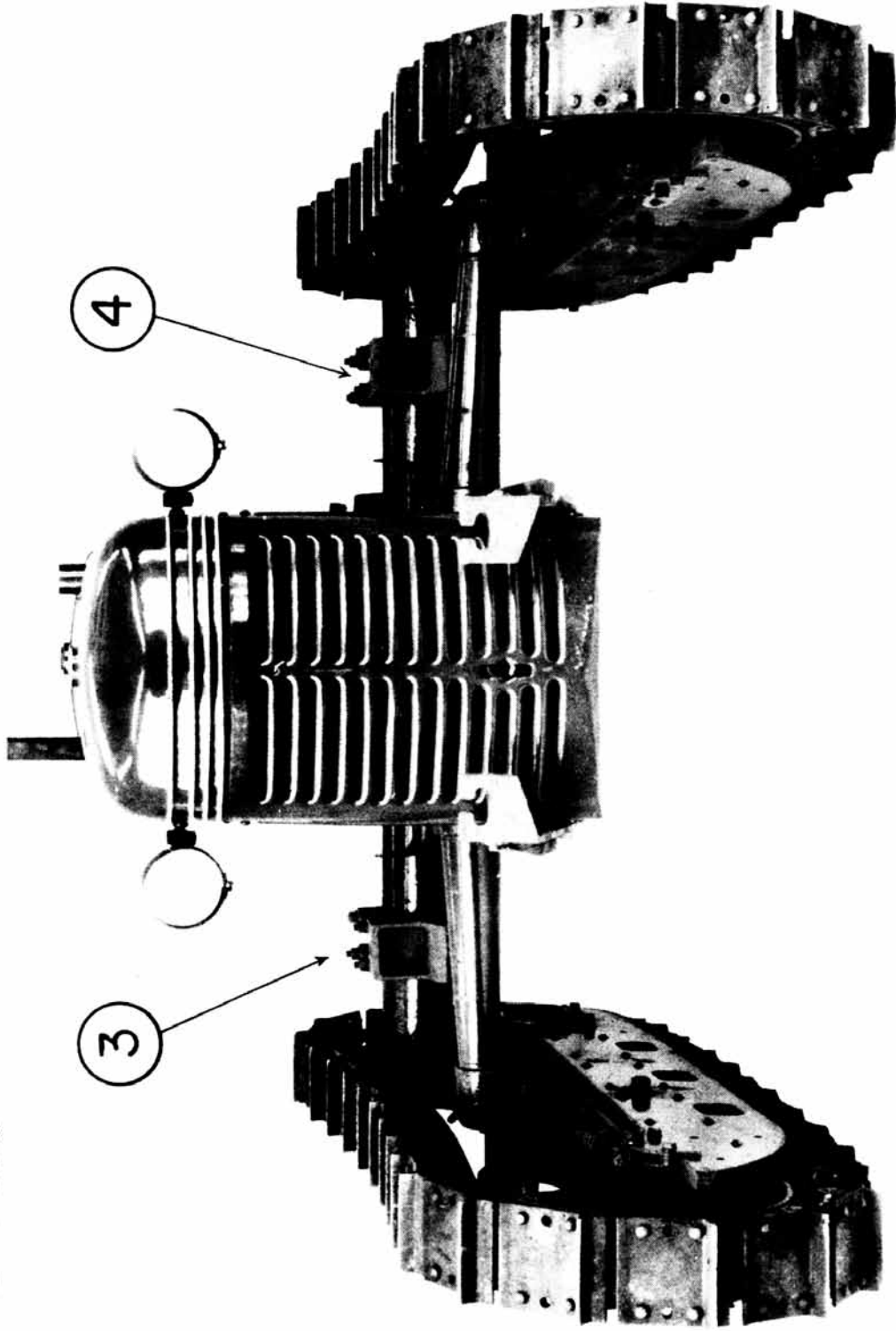


Figure 4  
Rear Support Brackets - Front View

SIDE FRAME BARS (SQUARE)

Place rear end of side frame bars in rear support brackets and attach with pins (Arrows 5, Figure 5). Place jack stands under front end of side frame bars 1" in rear of block (Arrows 6, Figure 5).

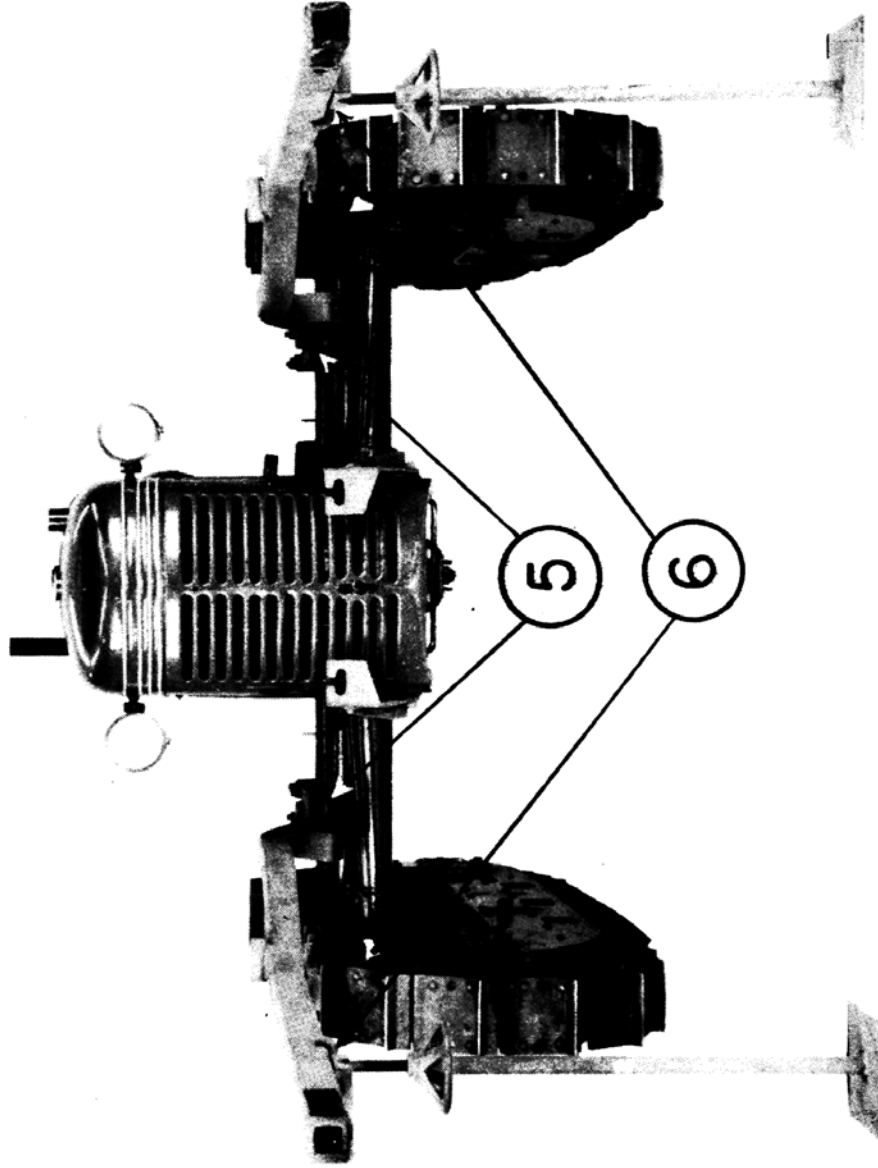


Figure 5  
Side Frame Bars - Front View

5-  
CASTER WHEELS AND BRACKETS

Assemble front wheel support brackets to front end of side frame bars (Arrow 7, Figure 6) with off-set in bracket to the outside. Place wear washer on caster wheel shaft. Insert shaft through support bracket and secure at top of shaft with retainer washer and cap screw (Arrow 8, Figure 6).

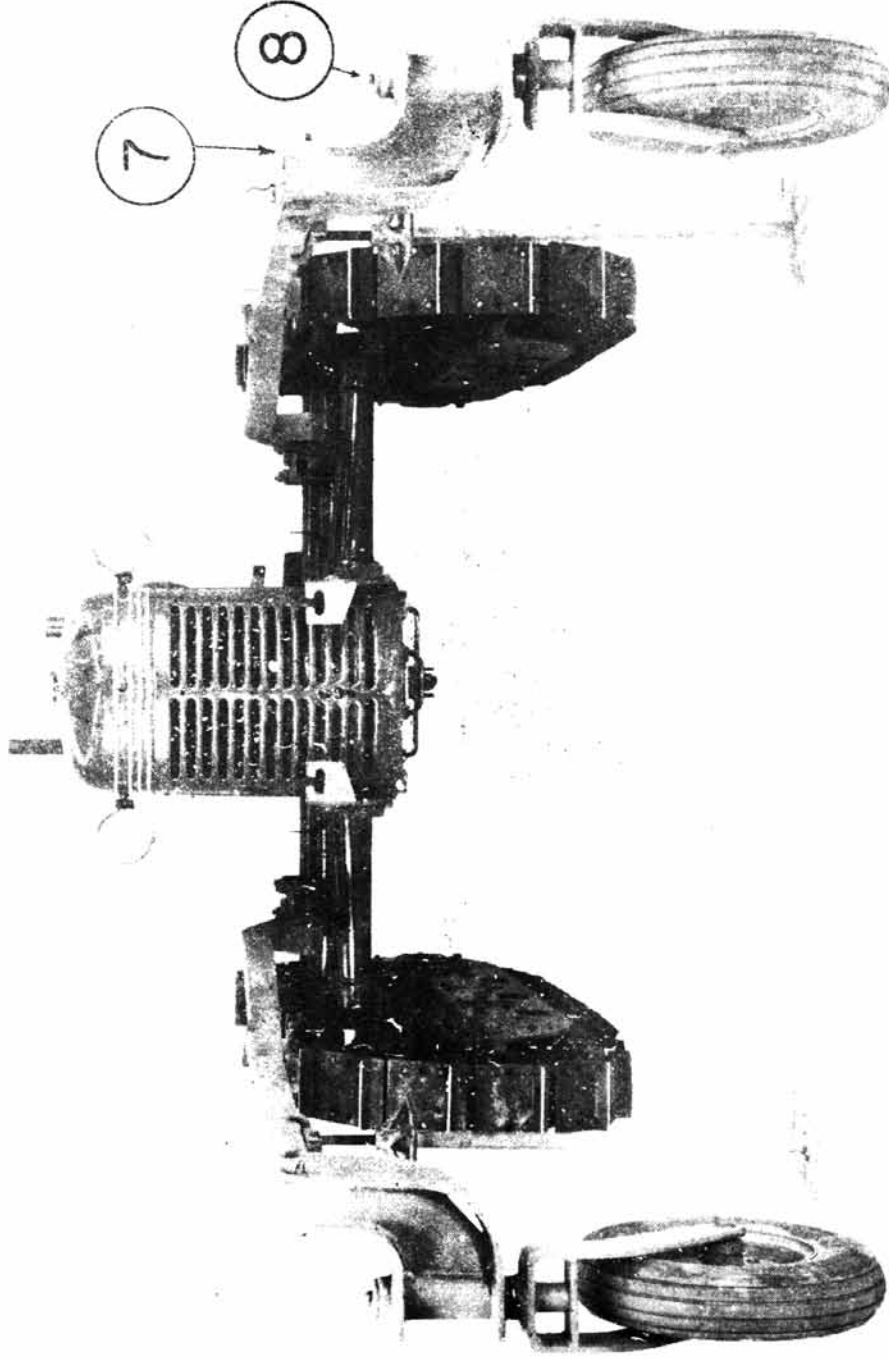


Figure 6  
Caster Wheels and Brackets - Front View

IMPLEMENT PIPES (ROUND)

Assemble implement pipes to underneath side of side frame bars with bolt heads up and clamps on under side of pipes (Arrow 9, Figure 7). Implement pipes are marked front and rear. Be sure to assemble them correctly. Remove jack stands from under side frame bars.

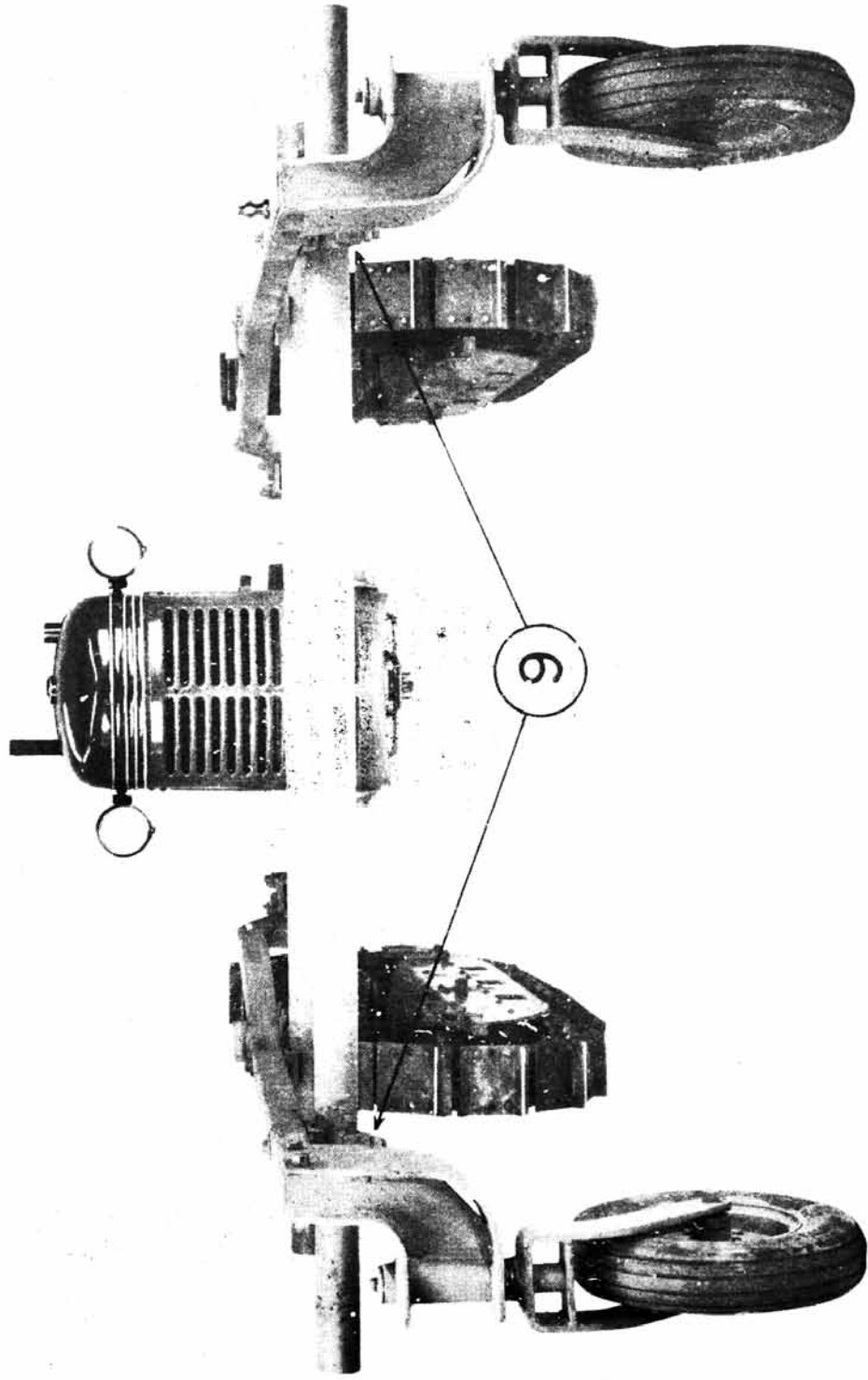


Figure 7  
Implement Pipes - Front View

GUIDE BARS

Insert the bolt end of guide bars through hole in sleeve welded to side frame bars (Arrow 10, Figure 8) with compression spring on inside and spacer on outside of side frame bars (Arrow 11, Figure 8). Hook the opposite end of guide bars in brackets on tractor so guide bars will cross in center of tractor (Arrow 12, Figure 8).

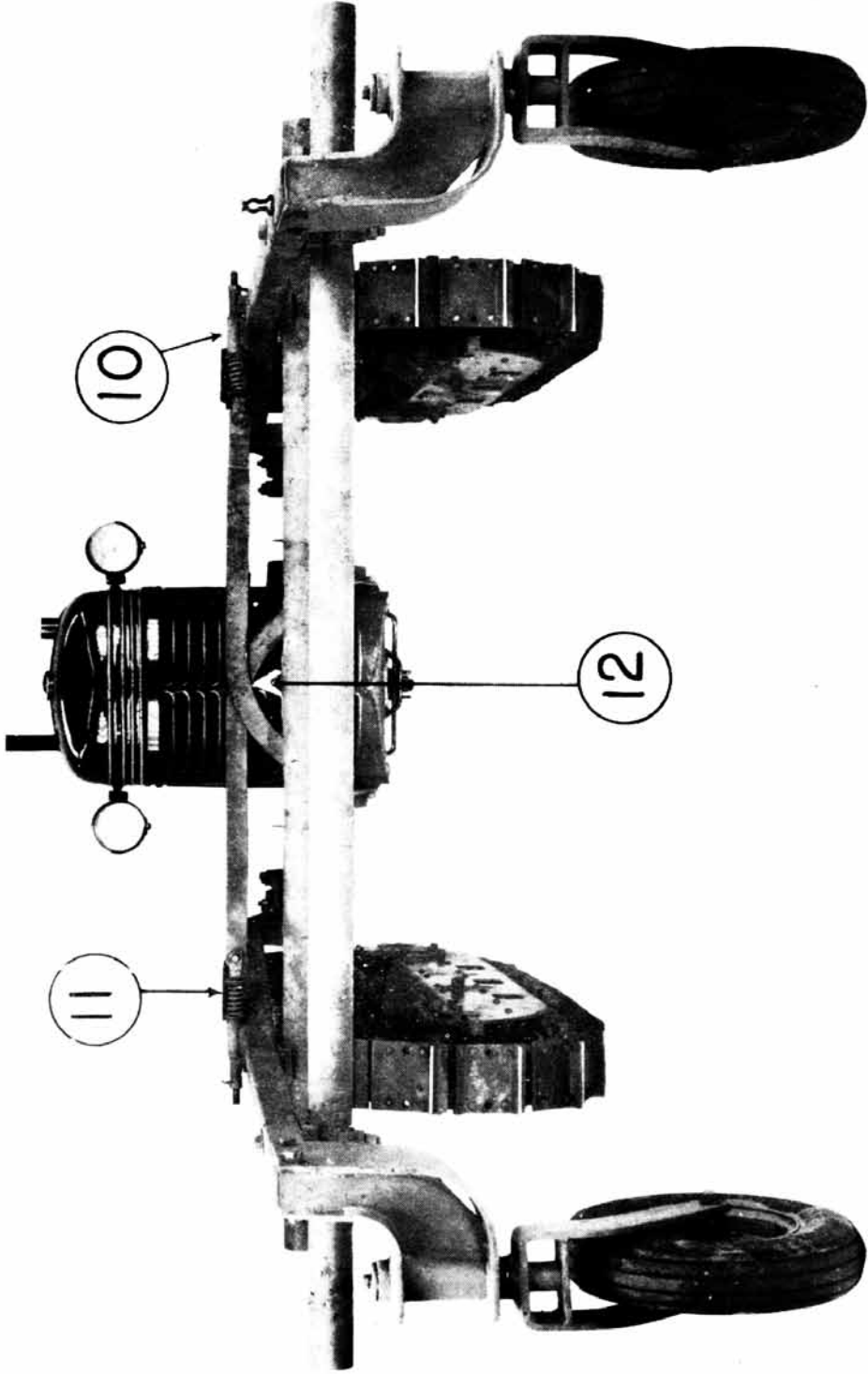


Figure 8  
Guide Bars - Front View

LIFT LEVERS

Bolt sectors to inside of side frame bars, assemble levers to sectors, attach connecting rods to lever plate (Arrow 14, Figure 10) and to center arm on rocker shaft (Arrow 15, Figure 10).

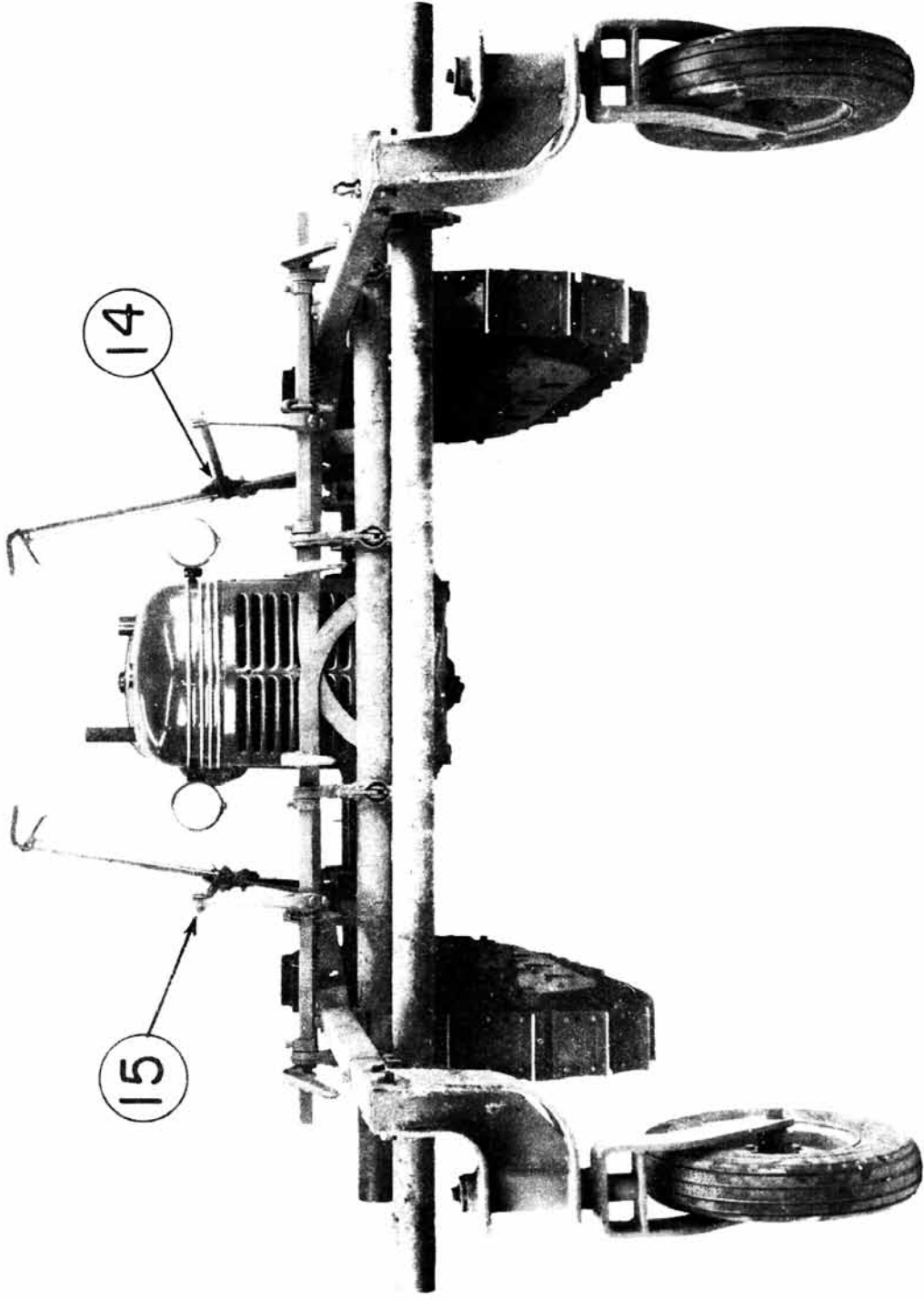


Figure 10  
Lift Levers - Front View

INSIDE GANG AND FRAME

Before attaching gang and frame to cultivator pipes, assemble shanks and shovels to gangs as shown in Figure 11. Slide complete center gang assembly in place under cultivator and attach by locking the Quick Detachable clamps in place on pipes. Attach equalizing bar to the rear beam bracket with steel pin and cotter (Arrow 16, Figure 12).

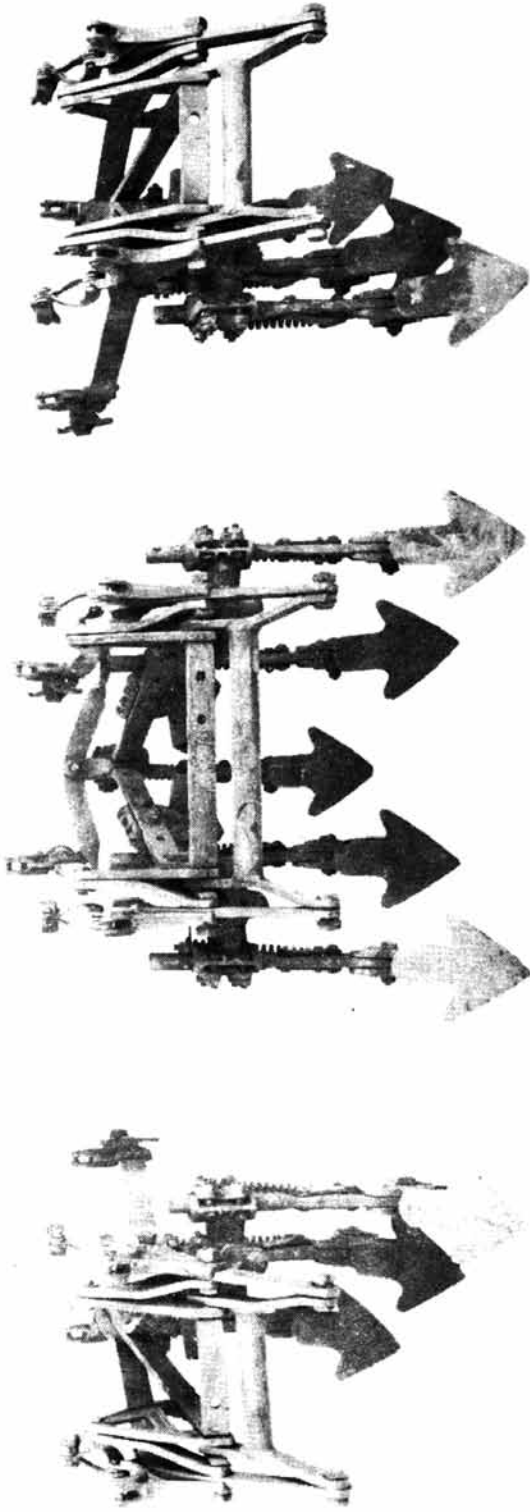


Figure 11  
Gangs Complete - Front View

OUTSIDE GANGS AND FRAMES

Follow the same procedure with outside gangs by assembling shanks and shovels as shown in Figure 11. Then slide gang and frame complete under cultivator and attach to pipes with Quick Detachable clamps.

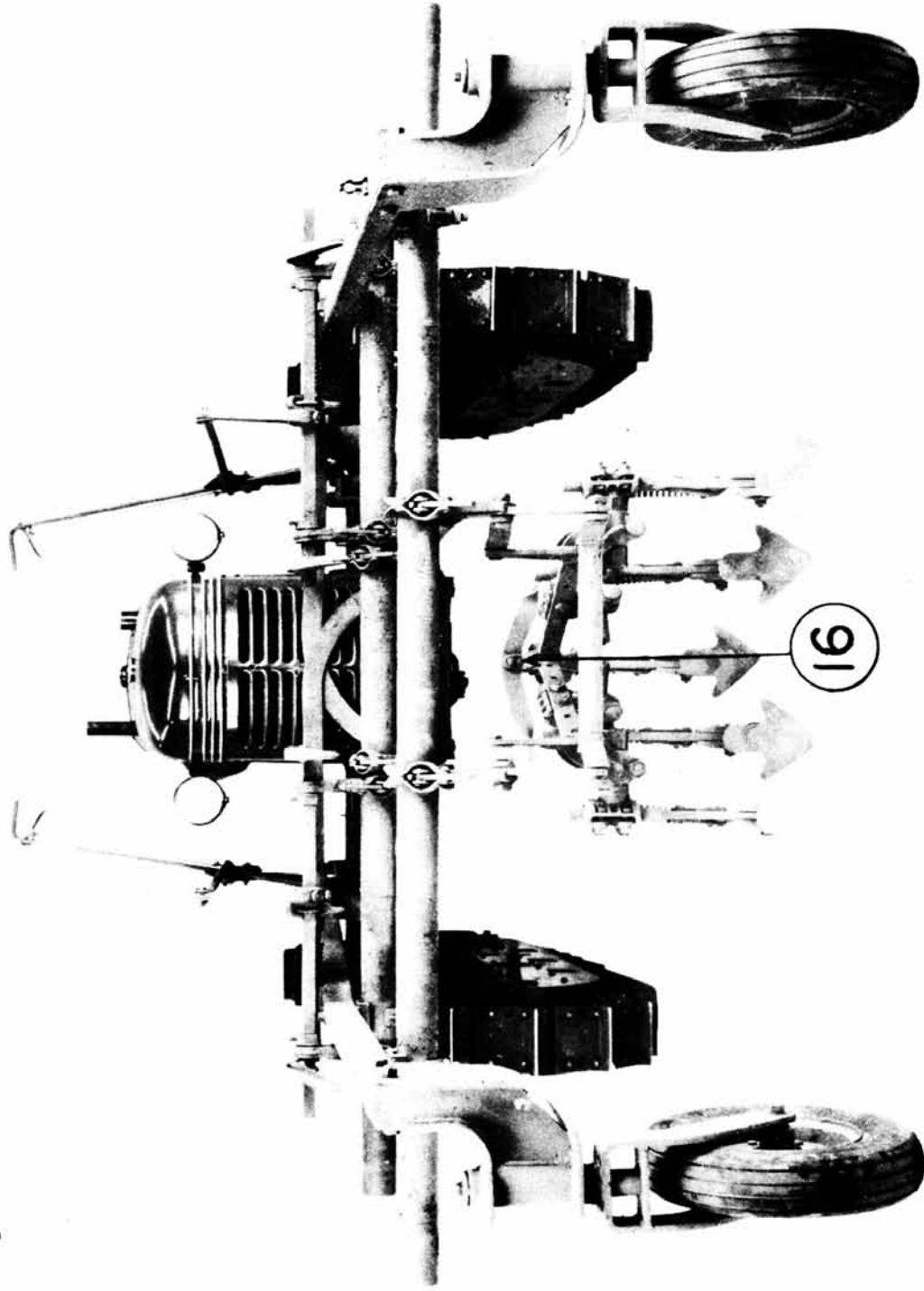


Figure 12  
Front View, Inside Gang and Frame

-12-

LIFT RODS

Insert lift rods for center gang through holes in end of equalizer bar (Arrow 17, Figure 13). Attach opposite end to inside arm on rocker shaft (Arrow 18, Figure 13). Assemble lift rods for outside gangs in the same manner.

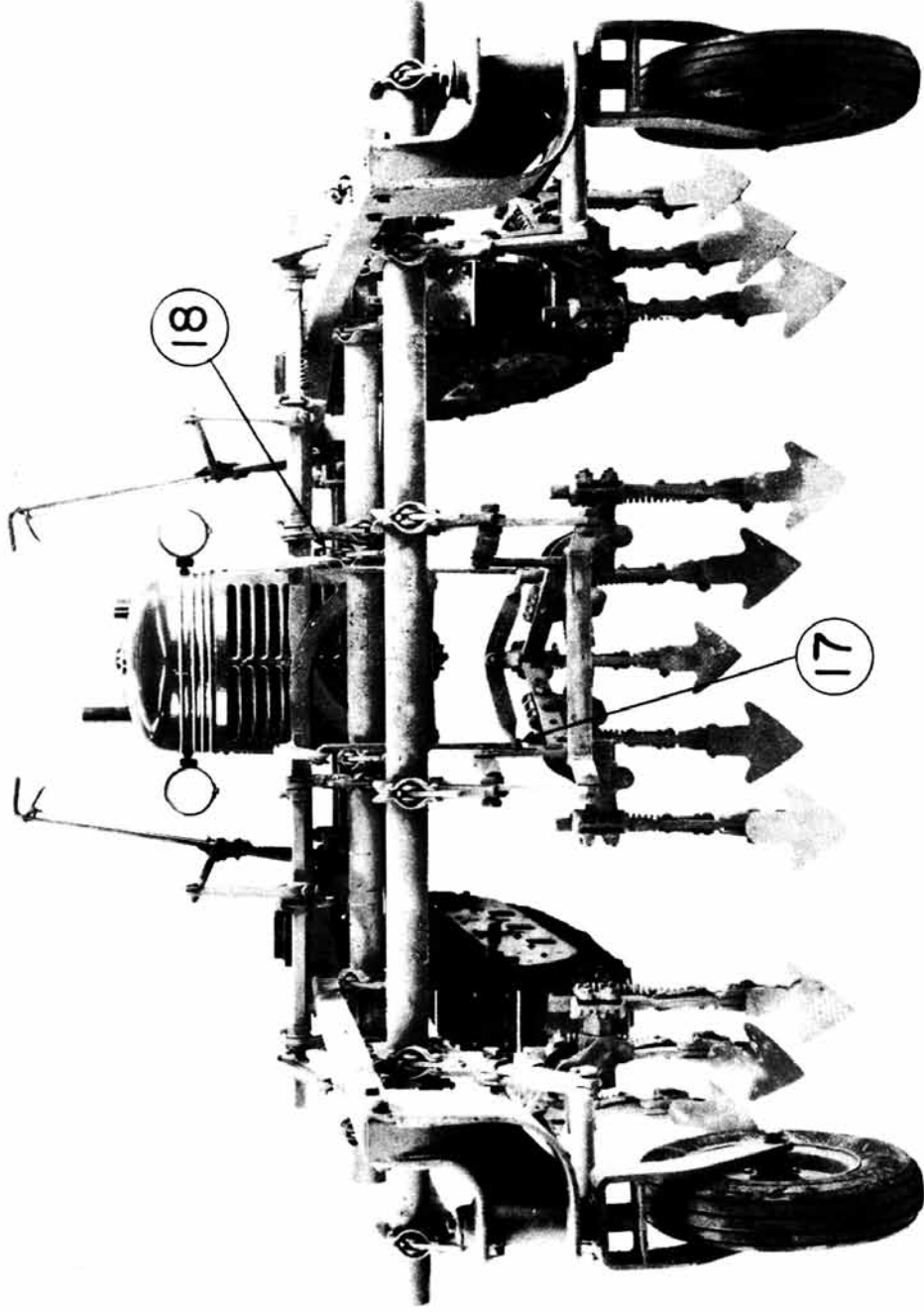


Figure 13  
Front View No. 795 Cultivator w/ Lift Rods

-13-

RAISING SPRING ASSEMBLY

Hook end of spring in anchor on rocker shaft (Arrow 19, Figure 14). Hook opposite end over front implement pipe (Arrow 20, Figure 14). Springs should be parallel with side frame bars.

-14-

BRACKET FOR STARTING CRANK

Attach bracket to center of front pipe with loop down (Arrow 21, Figure 14).

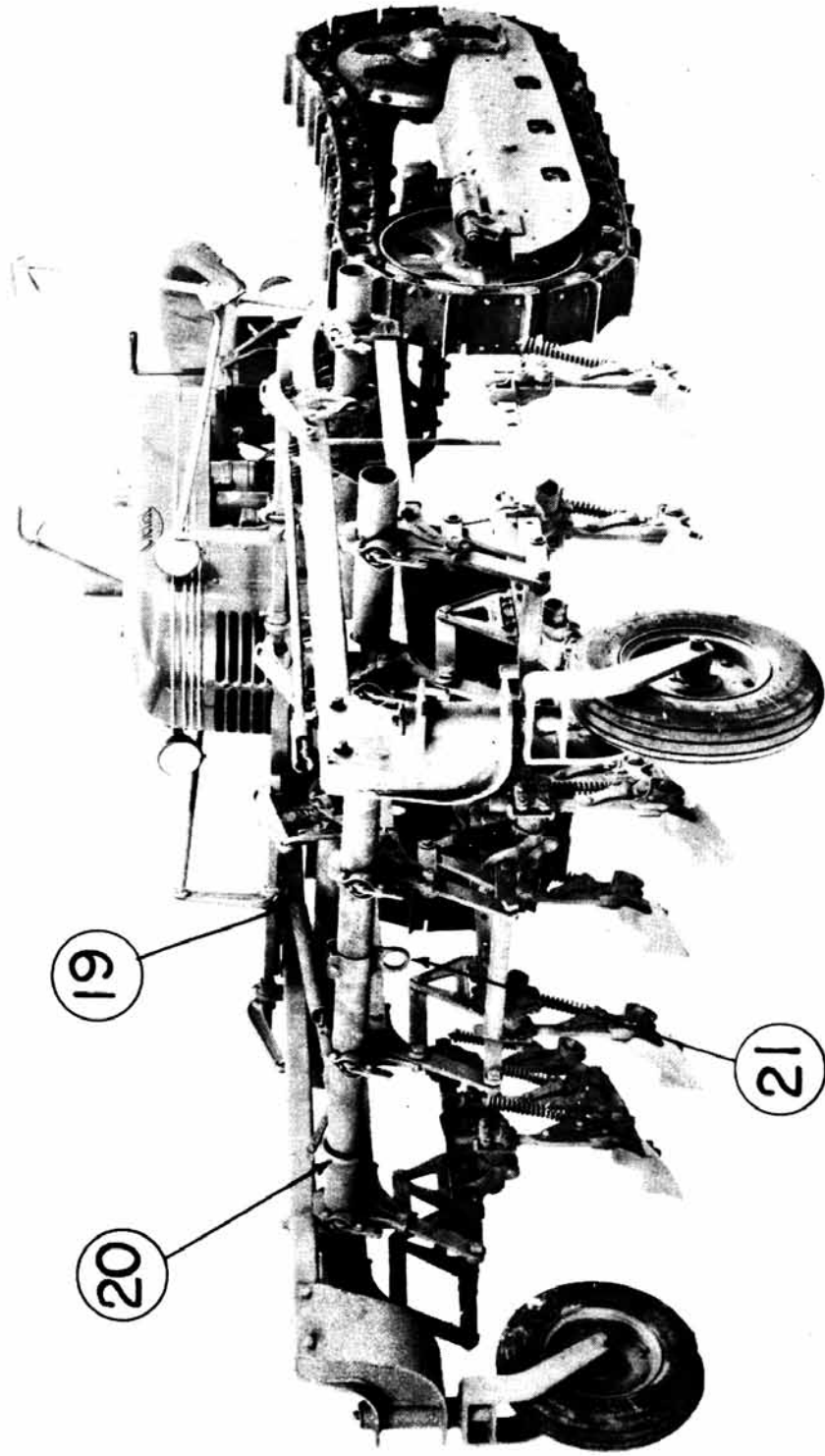


Figure 14  
3/4 Front View No. 795 Cultivator

-15-  
SHIELDS

Shields are assembled to lower bolts on outside of front sleeve holder brackets (Arrow 22, Figure 15).

-16-  
PRESSURE SPRING ATTACHMENT

The pressure spring attachment consists of pressure springs and rods with adjustable clamps and are assembled in the same manner as the lift rods. (Arrow 23, Figure 15).

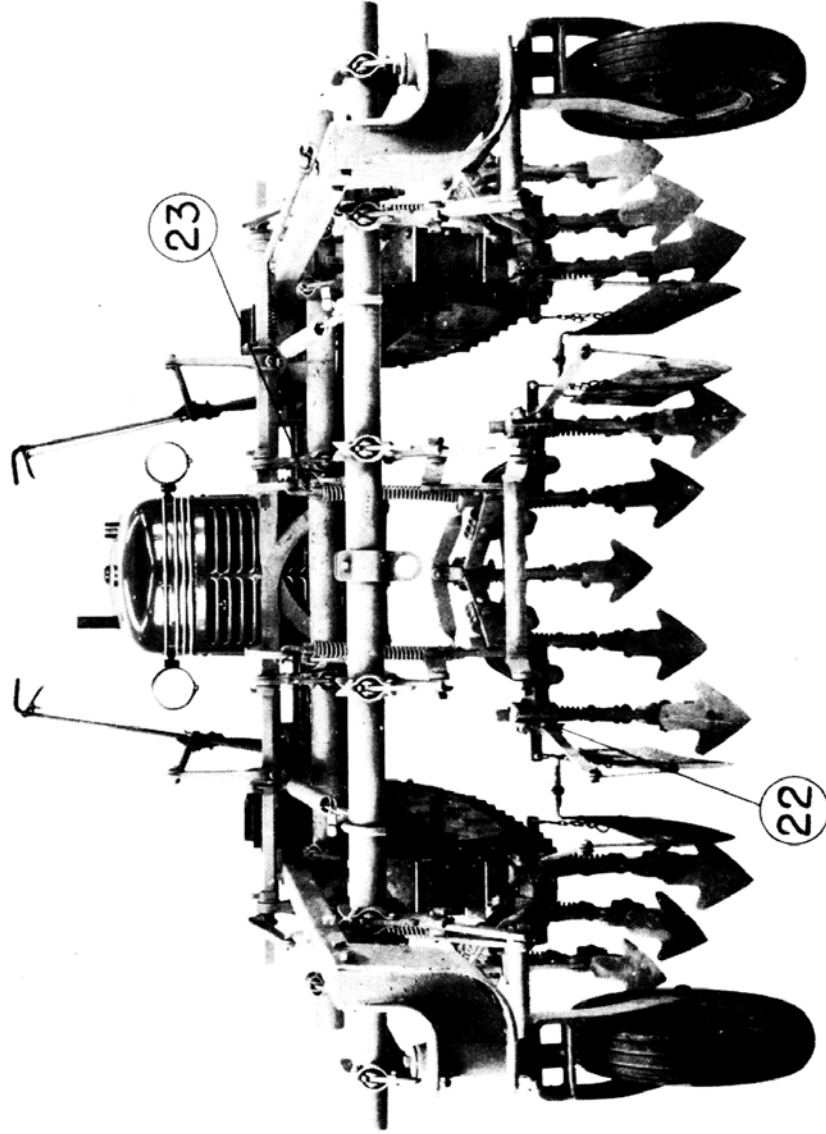


Figure 15  
Front View No. 795 Cultivator Complete

## OPERATING INSTRUCTIONS

### Before Starting Cultivator:

- Remove paint from shovels.
- Oil all moving parts and see that they work freely.
- Grease the two caster wheel bearings and spindles.

-17-

### GUIDE BARS

The guide bars are equipped with hand nuts and can be adjusted to conform with different width spacing of gangs. The compression springs are assembled on inside of side frame bars, however, the springs can be assembled outside of side frame bars if necessary. These bars hold gangs in flexible alignment.

-18-

### CULTIVATOR SHANKS AND SHOVELS

Shanks can be raised up or down in shank holders, however, for average cultivation very little of the shank should be above the holder. Shanks should be set uniform and spaced properly on gangs. Keep shovels sharp for good work.

Adjust spring trip shanks as follows:

- (a.) Adjust set screw in the lower trip link RC-817-A to control spring trip action. If shovel trips too easily turn set screw into link. Set screw head should touch shank when trip is in a closed position (Arrow 24, Figure 16).
- (b.) Increase tension on spring with nut to insure quick return of shovel after tripping (Arrow 25, Figure 16).
- (c.) Adjust corrugated washer for more or less pitch of shovel (Arrow 26, Figure 16).

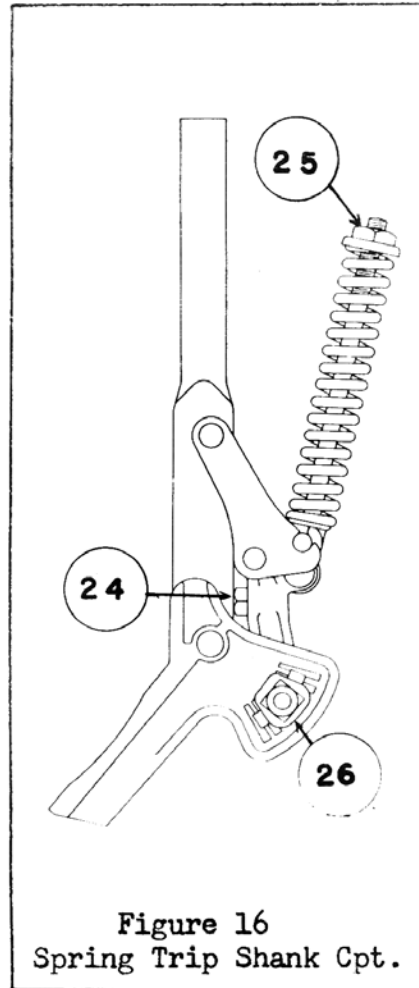


Figure 16  
Spring Trip Shank Cpt.

-19-

### SHIELDS

Shields are adjustable for width by adjusting spacers on rear of shields.

-20-

### LEVERS

Care should be taken to set both right hand and left hand levers in the same position on sectors to insure even cultivation.

-21-

WIDTH ADJUSTMENT OF GANGS

Cultivator gangs can be adjusted for different width rows from 32" to 42", by moving the gangs in or out on implement pipes.

-22-

TO ATTACH CULTIVATOR TO TRACTOR

Drive tractor into cultivator as shown in Figure 17. Secure side frame bars to rear support bracket with pins. Hook guide bars in guide bar brackets and tighten hand nuts.

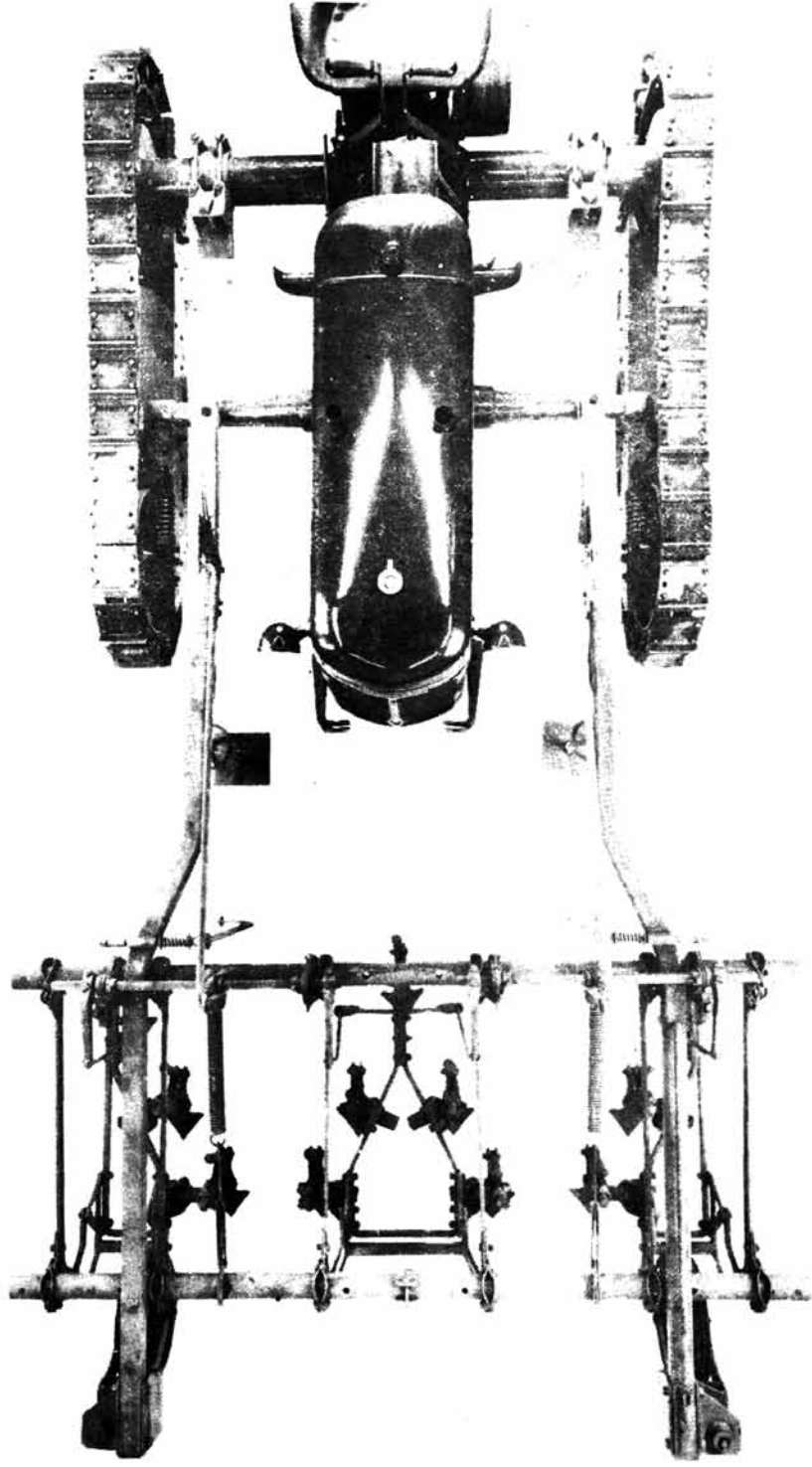


Figure 17  
Top View Hooking Cultivator to Tractor

-23-

TO UNHOOK TRACTOR FROM CULTIVATOR

Place one jack stand under each side frame bar about 6" ahead of block. Remove pins from support brackets and side frame bars. Raise side frame bars with jack stand. Loosen hand nut on guide bars and remove guide bar from guide bar bracket. Back up tractor a few inches then raise side frame bars up with jacks so bottom of side frame bar will clear rear axle of tractor and back tractor out leaving cultivator on the jack stands. See Figure 18.

-24-

CAUTION

Keep all bolts, nuts and set screws tight for better and longer service.

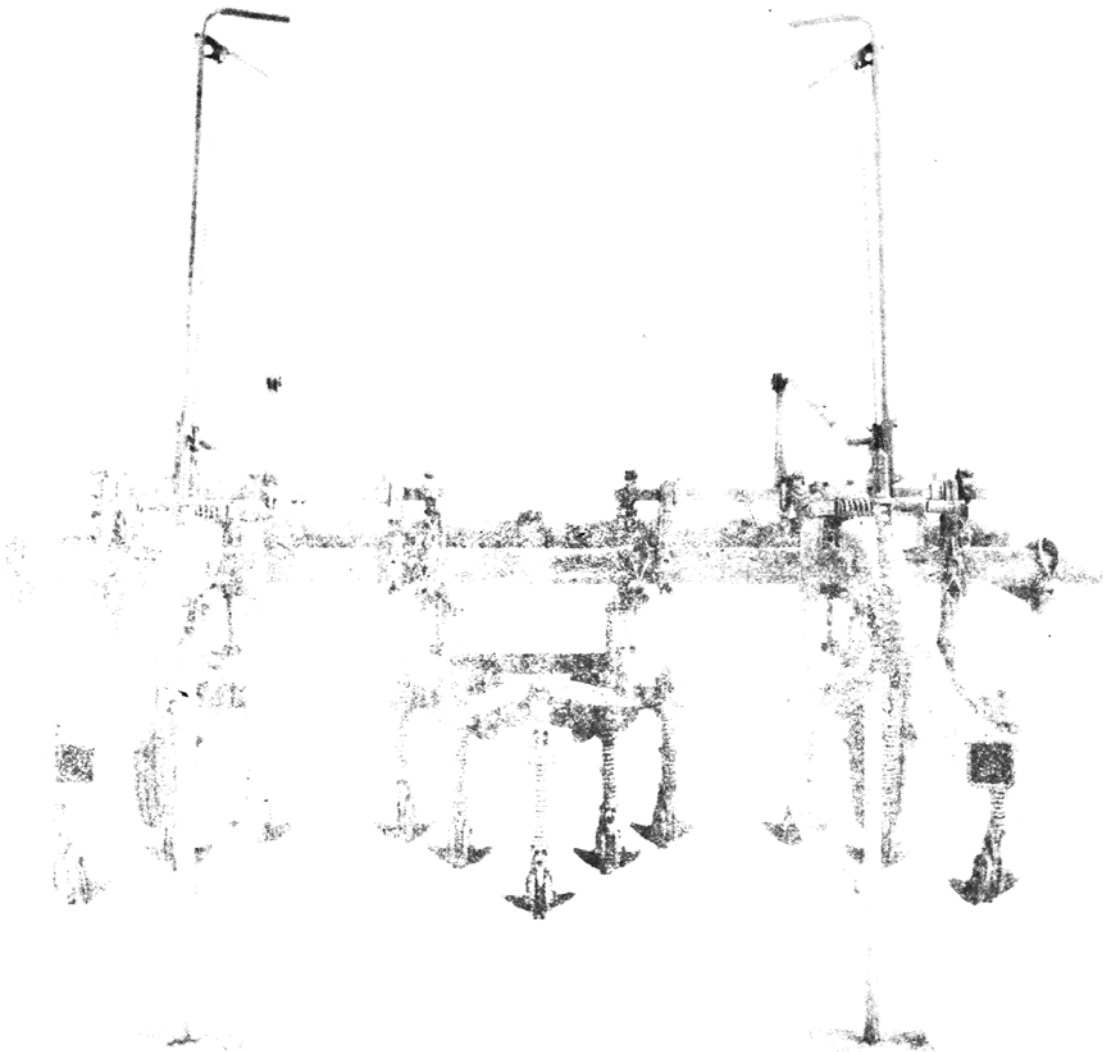


Figure 18  
Cultivator on Stands, Rear View

## PARTS LIST

<u>Part No.</u>	<u>Description</u>
CP-1218	Lift Spring Anchor on Rocker Shaft
CP-1219	Frame Bar
CP-5831	Bushing for Shield Support and Arm
CP-6768	Link Lever to Hook
CP-6770	R.H. Spring Lever Only - See RC-7094*
CP-6771	L.H. Spring Lever Only - See RC-7094*
CP-6772	Hook for Spring Lever
CP-6924	Overcenter Link
CP-6925	Cap Strap
CP-6926	Lever
CP-9043	Break Pin
DH-6746	Spacer for Lever End
EP-710	Lever Latch
EP-5532	Pin for Guide Bar & Spring Tie Rod (5/8" x 1 3/4" O. H. Rivet w/ 3/16 x 1 1/4" Cotter)
EP-7169	Pivot Pin (Pressed in Guide Bar)
EP-7450	Latch Wire
F-241	Shovel Washer
RC-477-A	Corrugated Washer on Sleeve - Spring Trip
RC-481	Corrugated Washer on Sleeve - Pin Break
RC-817-A	Lower Link with 1/2 x 1" C. P. Set Screw
RC-818	Spring Trip Rod Pivot
RC-819	Open Sleeve
RC-862-XXXX	Sliding Round Shank Holder
RC-863	Cap for Rear Round Shank Holder
RC-864-XX	Shank Holder Bracket
RC-882-X	Rear Round Shank Holder
RC-884	Lift Rod Bracket
RC-892-XA	Upright, R. H.
RC-893-XA	Upright, L. H.
RC-913-A	Shovel Block
RC-930	Pin Break - Open Sleeve
RC-958	Shank Holder Beam Bracket
RC-960	Rear Round Shank Holder
RC-1000-XX	Raising Arm
RC-1002	R. H. Front Pipe Frame Bracket
RC-1002*	R. H. Front Pipe Frame Bracket Cpt. (2-CP-6924, 2-CP-6925, CP-6926, RC-1002)
RC-1003	L. H. Front Pipe Frame Bracket
RC-1003*	L. H. Front Pipe Frame Bracket Cpt. (2-CP-6924, 2-CP-6925, CP-6926, RC-1003)
RC-1005	Pipe Clamp and Frame Bracket - Rear - Outside
RC-1005*	Pipe Bracket Cpt. (2-CP-6924, 2-CP-6925, CP-6926, RC-1005)
RC-1006	Bushing w/ 1/2 x 7/8" C. P. Set Screw for Rockershaft and Brackets

<u>Part No.</u>	<u>Description</u>
RC-1014	R. H. Rear Support Bracket for Frame Bar
RC-1015	L. H. Rear Support Bracket for Frame Bar
RC-1016	Bracket for Rocker Shaft
RC-1016*	Bracket Cpt. for Rocker Shaft (2-CP-6924, 2-CP-6925, CP-6926, RC-1016)
RC-5032	Spring Rod
RC-5296-0	6" Spear Point Solid Shovel with RC-913-A & F-241
RC-5296-0	6" Spear Point S. C. Shovel with RC-913-A & F-241
RC-6283	U-Bolt for Raising Arms - Also for Spring Anchor
RC-6311	Spreader for Sleeve
RC-6545	Shank Only
RC-6545*	Spring Trip Shank Cpt. (RC-5032, RC-817-A, RC-6311, 2-RC-477-A, RC-819, RC-6545, 2-RC-6889, RC-818, RC-6566, RC-6743)
RC-6554	Spreader for Shield
RC-6557	Shield Arm
RC-6566	Trip Spring
RC-6621	Rocker Shaft
RC-6631	Shield Support
RC-6633	Hook for Shield Chain and Support Arm
RC-6635	Hang Up Chain for Shield (4 Links w/ "S" Hook)
RC-6695	Upper Parallel Link - For Inside Gang & Frame
RC-6698	Parallel Link - Upper - For Outside Gang & Frame
RC-6703	Shoulder Bolt & Pivot Pin in Pipe Frame Bar, Upper Parallel Links and Front Pipe Frame Brackets
RC-6711	Shoulder Bolt & Pivot Pin w/ Nut in Pipe Frame Bar & Lower Parallel Links
RC-6743	Spring Rod Washer
RC-6747-0*	1 1/2" D. P. Solid Shovel with 2-F-241
RC-6763	Shank Only
RC-6763*	Pin Break Shank Cpt. (RC-930, 2-RC-481, RC-6763, CP-9043)
RC-6776*	R. H. Shield with RC-6554
RC-6777*	L. H. Shield with RC-6554
RC-6876	Lower Parallel Links Cpt. - For Inside Gang & Frame
RC-6878	Lower Parallel Links Cpt. - For Outside Gang & Frame
RC-6879-0*	2" D. P. Solid Shovel with 2-F-241 Washers
RC-6880-0*	2 1/2" D. P. Solid Shovel with 2-F-241 Washers
RC-6881-0*	3" D. P. Solid Shovel with 2-F-241 Washers
RC-6889	Upper Link
RC-6918	Beam - Inside
RC-6919	Beam - Outside
RC-7077	Wrench for QD Clamp
RC-7080	Long Link Lever to Spring
RC-7082	Lift Rod with 1/4 x 1 1/4" Cotter
RC-7085	Frame Bar
RC-7094*	Spring Lever Cpt. (CP-6772, CP-6770, CP-6771, 2-CP-6768, RC-7080)

<u>Part No.</u>	<u>Description</u>
RC-7111	Lift Spring
RC-7152	Side Frame Bar Complete, R. H.
RC-7153	Side Frame Bar Complete, L. H.
RC-7162	U-Bolt for Rear Support Bracket
RC-7163	Pin in Rear Support Bracket for Side Frame Bar
RC-7164*	R. H. Frame Bracket w/ 2-RC-7172 for Front Wheel
RC-7165*	L. H. Frame Bracket w/ 2-RC-7172 for Front Wheel
RC-7172	Bushing Pressed in Frame Bracket Sleeve
RC-7173	Fork for Front Wheel
RC-7179	Wheel Disc without Valve Hole
RC-7180	Wheel Disc with Valve Hole
RC-7182	Hub for Front Wheel
RC-7183	Bearing for Front Wheel
RC-7184	Felt Washer for Front Wheel
RC-7185	Retainer for Front Wheel
RC-7186	Wear Washer on Front Wheel
RC-7187	Spacer on Front Wheel
RC-7188	Pneumatic Tire - 4.00 x 9.00 4 Ply - Implement Type
RC-7189	Inner Tube 4.00 x 9.00 - Implement Type
RC-7190	Axle for Front Wheel
RC-7191	Wear Washer on Fork Pivot Shaft
RC-7192	Cap on Top of Fork Pivot Shaft
RC-7193	Spacer Plate between Guide Bar Support Brackets & Tractor
RC-7194	R. H. Guide Bar Support Bracket Cpt.
RC-7195	L. H. Guide Bar Support Bracket Cpt.
RC-7200	Guide Bar
RC-7202*	Spring Tie Rod w/ RC-7205 Nut for Guide Bar
RC-7204	Spacer for Spring Tie Rod
RC-7205	Hand Nut for Spring Tie Rod
RC-7206	R. H. Sector for Lift Lever
RC-7207	L. H. Sector for Lift Lever
RC-7208-R.H.	Lever Cpt. Assembled R.H. (RC-7209, EP-7450, EP-710, RP-19, RP-20-X, 4998)
RC-7208-L.H.	Lever Cpt. Assembled L.H. (RC-7209, EP-7450, EP-710, RP-19, RP-20-X, 4998)
RC-7209	Plate for Lever
RC-7210	Lever Connecting Rod w/ 2-3/16 x 1 1/4" Cotter
RC-7214	Front Pipe
RC-7215	Rear Pipe
RC-7216	Starting Crank Extension Shaft and Jaw - Short
RC-7219*	Starting Crank Cpt.
RC-7221	Starting Crank Extension Shaft - Long
RC-7224*	Clamp Cpt. for Starting Crank Hanger (2-RC-7224)
RC-7225	Spring Clip for Carrying Crank and Long Extension
RC-7230	Equalizer Bar for Center Gang
RC-7232	Pin for Starting Crank
RC-7233	Spring on Starting Crank Extension

<u>Part No.</u>	<u>Description</u>
RC-7234	Support Bracket for Extension Assembly
RC-7236	Pin for Starting Crank
RC-7238	Housing and Base for Jack Screw
RC-7240	Jack Screw with Head
RP-19	Plunger Box
RP-20-X	Plunger
RP-5413	Wrench 8" with 23/32" and 27/32" Jaws
RP-5415	Wrench 10 5/8" with 1 1/8" and 1 1/4" Jaws
Z-302	Hand Wheel for Jack Screw
Z-5184	Spring on Tie Rod
Z-5709	Pin in Rear Shank Holder for Equalizer Bar - 1/2 x 2" O.H. Rivet w/ 3/16 x 1" Cotter
4998	Plunger Spring
7645	7/16 x 2 1/2" Short Square Bolt
7741	3/8 x 1" Machine Bolt
7753	3/8 x 2 3/4" Machine Bolt
7776	7/16 x 1" Machine Bolt
7780	7/16 x 1 1/2" Machine Bolt
7782	7/16 x 1 3/4" Machine Bolt
7785	7/16 x 2 1/2" Machine Bolt
7821	1/2 x 1 1/2" Machine Bolt
7824	1/2 x 1 3/4" Machine Bolt
7827	1/2 x 2 1/4" Machine Bolt
7828	1/2 x 2 1/2" Machine Bolt
7950	5/16 x 3/4" Carriage Bolt
7972	3/8 x 2 1/4" Carriage Bolt
7990	7/16 x 1 1/2" Carriage Bolt
7995	7/16 x 2 1/2" Carriage Bolt
7996	7/16 x 2 3/4" Carriage Bolt
8018	1/2 x 1 3/4" Carriage Bolt
8020	1/2 x 2" Carriage Bolt
8048	5/8 x 2 3/4" Carriage Bolt
8081	3/8" Sq. Nut
8082	7/16" Square Nut
8085	5/8" Square Nut
8091	1/2" Hexagon Nut
8093	5/8" Sq. Nut
8098	1/4" Lock Washer
8099	5/16" Lock Washer
8100	3/8" Lock Washer
8101	7/16" Lock Washer
8102	1/2" Lock Washer
8104	5/8" Lock Washer
8112	1/4 x 1/2" Csk. Head Rivet
8113	1/4 x 3/4" Csk. Head Rivet
8129	3/8" x 7/8" Csk. Head Rivet
8130	3/8 x 1" Csk. Head Rivet

<u>Part No.</u>	<u>Description</u>
8156	1/4 x 1/2" O. H. Rivet
8157	1/4 x 5/8" O. H. Rivet
8158	1/4 x 3/4" O. H. Rivet
8161	1/4 x 1 1/8" O. H. Rivet
8195	3/8 x 1" O. H. B. Rivet
8199	3/8 x 1 1/4" O. H. Br. Rivet
8222	7/16 x 1 1/4" O. H. Br. Rivet
8225	7/16 x 1 1/2" O. H. Br. Rivet
8227	7/16 x 1 3/4" O. H. Br. Rivet
8313	1/2 x 7/8" C. P. Set Screw
8314	1/2 x 1" C. P. Set Screw
8352	1/8 x 1 1/8" Cotter
8354	3/16 x 1" Cotter
8355	3/16 x 1 1/4" Cotter
8359	1/4 x 3/4" Cotter
8361	1/4 x 1 1/4" Cotter
8378	7/8 x 3/8" #16 Steel Washer
8382	1 1/4 x 1/2" #14 Steel Washer
8384	1 3/8 x 9/16" #12 Steel Washer
8387	1 3/8 x 11/16" #10 Steel Washer
8388	1 3/4 x 11/16" #10 Steel Washer
8389	1 1/8 x 3/4" #13 Steel Washer
9961	7/16 x 1 1/8" F. H. Br. Rivet
50152	5/8 x 7/8" Hex. Head Cap Screw
50153	5/8 x 4 1/2" Hex. Head Cap Screw
50154	5/8" SAE Hex. Slotted Nut
50155	3/4" SAE Hex. Slotted Nut
50156	1/2 x 1 1/4" SAE Hex. Slotted Nut
50157	1/2 x 1 1/2" Hex. Head Cap Screw
50158	1/2 x 3 1/2" Hex. Head Cap Screw
50159	5/8 x 1 3/4" Hex. Head Cap Screw
50160	3/8 x 1" Flat Hd. Cap Screw
50161	5/16 x 5/8" Fillister Head Cap Screw
50162	1/4 x 1 1/4" Hex. Head Cap Screw
50163	3/8 x 3/4" Hex. Head Cap Screw
50164	1/4" Hex. Nut
50165	3/8" Hex. Nut
50166	21/32" x 1 1/8" x 1/16" Steel Washer
50167	25/32 x 1 1/8" x 3/32" Steel Washer

NO. 795 CULTIVATOR TRACK ERADICATOR

A-412	Collar with 1/2 x 7/8" C. P. Set Screw
EP-5290	U-Bolt for Arm on Beam
F-241	Washer for Sweep
RC-108	Half Clamp on Rod
RC-477-A	Corrugated Washer on Sleeve
RC-538-A	Shank Holder, L. H.

<u>Part No.</u>	<u>Description</u>
RC-539-A	Shank Holder, R. H.
RC-817-A	Lower Link with 1/2 x 1" C. P. Set Screw
RC-818	Spring Trip Rod Pivot
RC-819	Open Sleeve
RC-961	Thimble for Spring
RC-989	Lift Arm on Rocker Shaft
RC-994	R. H. Arm on Beam
RC-995	L. H. Arm on Beam
RC-5032	Spring Rod
RC-6165	8" Solid Sweep
RC-6283	U-Bolt for Lift Arm on Rocker Shaft
RC-6311	Spreader for Sleeve
RC-6545	Shank Only - Spring Trip
RC-6545*	Spring Trip Shank Cpt. (RC-5032, RC-817-A, RC-6311, 2-RC-477-A, RC-819, RC-6545, 2-RC-6889, RC-818, RC-6566, RC-6743)
RC-6566	Trip Spring
RC-6743	Spring Rod Washer
RC-6889	Upper Link
RC-6923	Spring on Lift Rod
RC-7136	Clamp Strap for Shank Holder
RC-7226	Beam, R. H.
RC-7227	Beam, L. H.
RC-7228	Lift Rod with Nut and Cotter
RC-7229	Clamp on Rear Support Bracket for Beam
RC-7231	Draw Bar Support Bracket and Inner Bearing for Beam

NO. 85-DB-10" STEEL BASE  
(See SB-357-A)

NO. 95 CULTIVATOR ROTARY HOE ATT.  
(See SB-357-A)

NO. 95 CULTIVATOR STALK CUTTER ATT.  
(See SB-422 - Form M-806)

NO. 95 QD CULTIVATOR WEEDER ATT.  
(See Folder SB-356-A - Form M-856)

NO. 95 CULTIVATOR BEAM EXTENSION

RC-917	Spreader Block
RC-6758	Beam Extension

NO. 95 CULTIVATOR SHANK HOLDER EXTENSIONS  
(For WIDE ROWS)

RC-917	Extension for Shank Holder Bracket
RC-1007	Filler Block between Extension and Shank Holder Bracket

NO. 95 CULTIVATOR DEEP CULTIVATION LIFT RODS

<u>Part No.</u>	<u>Description</u>
RC-6921	Lift Rod - Long - with 2-1/4 x 1 1/4" Cotters & Washers

NO. 1095 PLANTER ATT. LIFT ROD PRESSURE SPRING ATT.

RC-108	Half Clamp on Rod
RC-961	Thimble for Spring
RC-6923	Spring on Rod
RC-7140	Lift Rod with Nut and 2-1/4 x 1-1/4" Cotters

NO. 367 AND 368 DISCS

RC-902	Flanged Cone
RC-903	Plain Cone
RC-915	Cap for Bearing
RC-916	Hub for Disc
RC-6725	Shim Washer on Center Bolt
RC-6726	Spreader for Cone
RC-6744	Center Bolt
RC-6754	Standard
RC-6755	12" Disc Blade
RC-6756	14" Disc Blade
RC-6757	Gasket between Hub & Cap
7333	P. T. Fitting

NO'S 36-A, 37-A, 48, 49 AND 52 SPRING TOOTH ATT.

RC-538-A	Shank Holder, L. H. - (52 only)
RC-539-A	Shank Holder, R. H. - (52 only)
RC-747	Thimble
RC-862-XXXX	Round Shank Holder (36-A, 37-A)
RC-863	Round Shank Holder Cap
RC-864-XX	Shank Holder Bracket - Wide
RC-882-X	Round Shank Holder & Beam Bracket (48 - 49)
RC-6159	6" Flat Sweep - Special
RC-6160	8" Flat Sweep - Special
RC-6312	Spring Tooth
RC-6381	2" D. P. Shovel w/ Bolts
RC-6583	Spring Tooth
RC-6584	Reinforcement for RC-6583
RC-6873	Shank
RC-6882	Spring Tooth Bracket - Round
RC-6883	Clamp Strap for Bracket
RC-7136	Clamp Strap for Shank Holder
U-483	Shovel Back
U-503-R*	2 1/4" D. P. Shovel w/ U-483
WC-50	Bracket for Spring Tooth

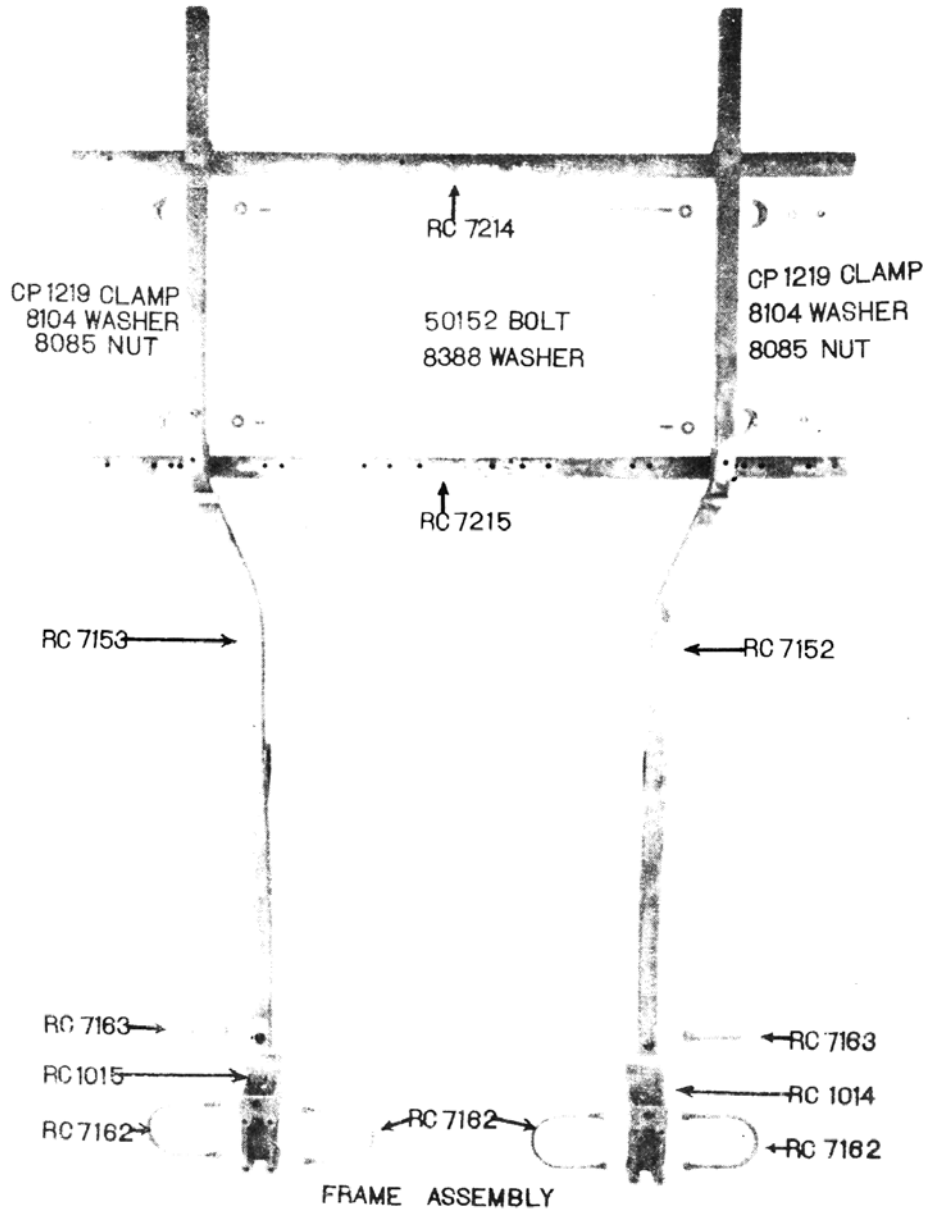


Figure 19  
Frame Assembly Plate of Parts

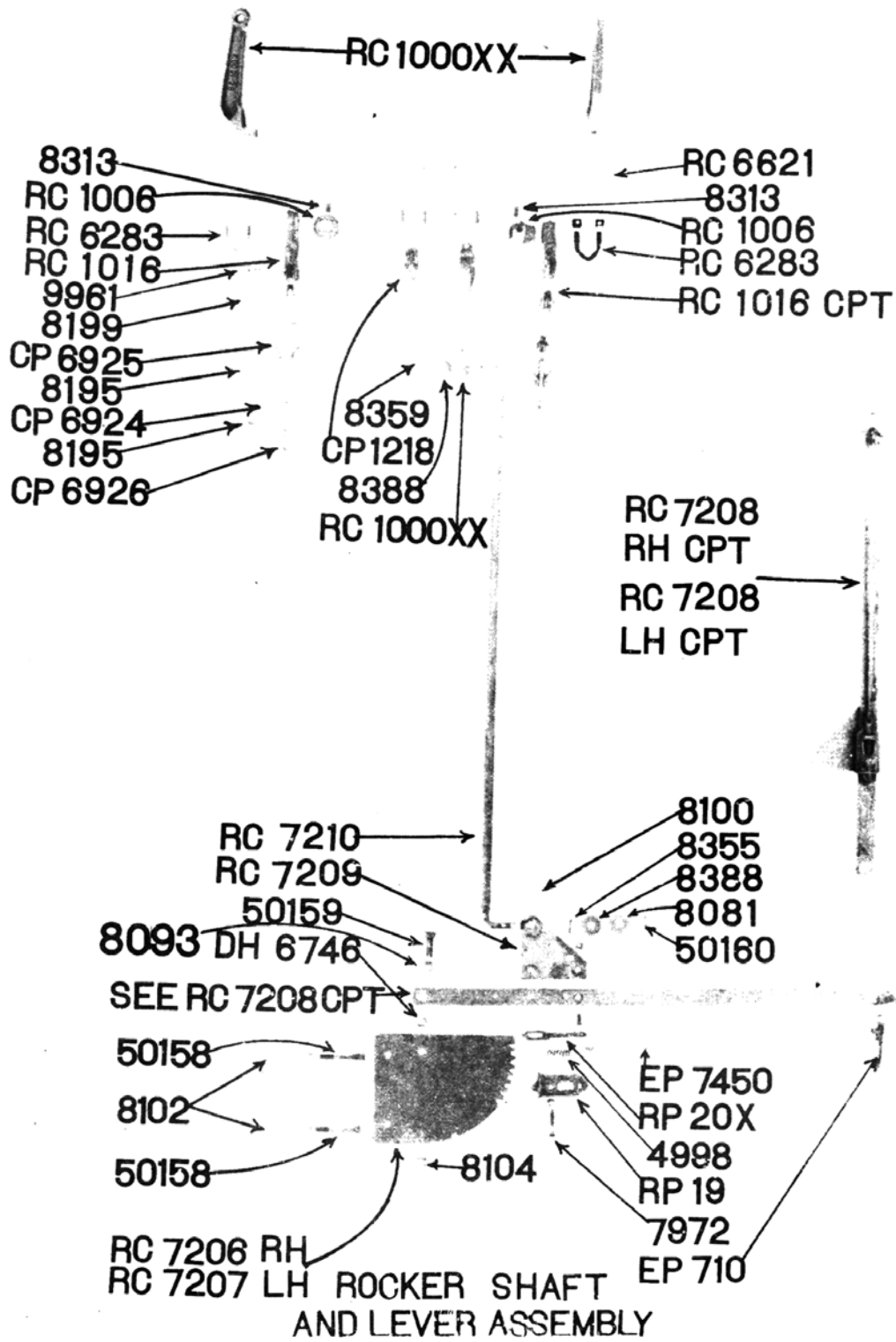
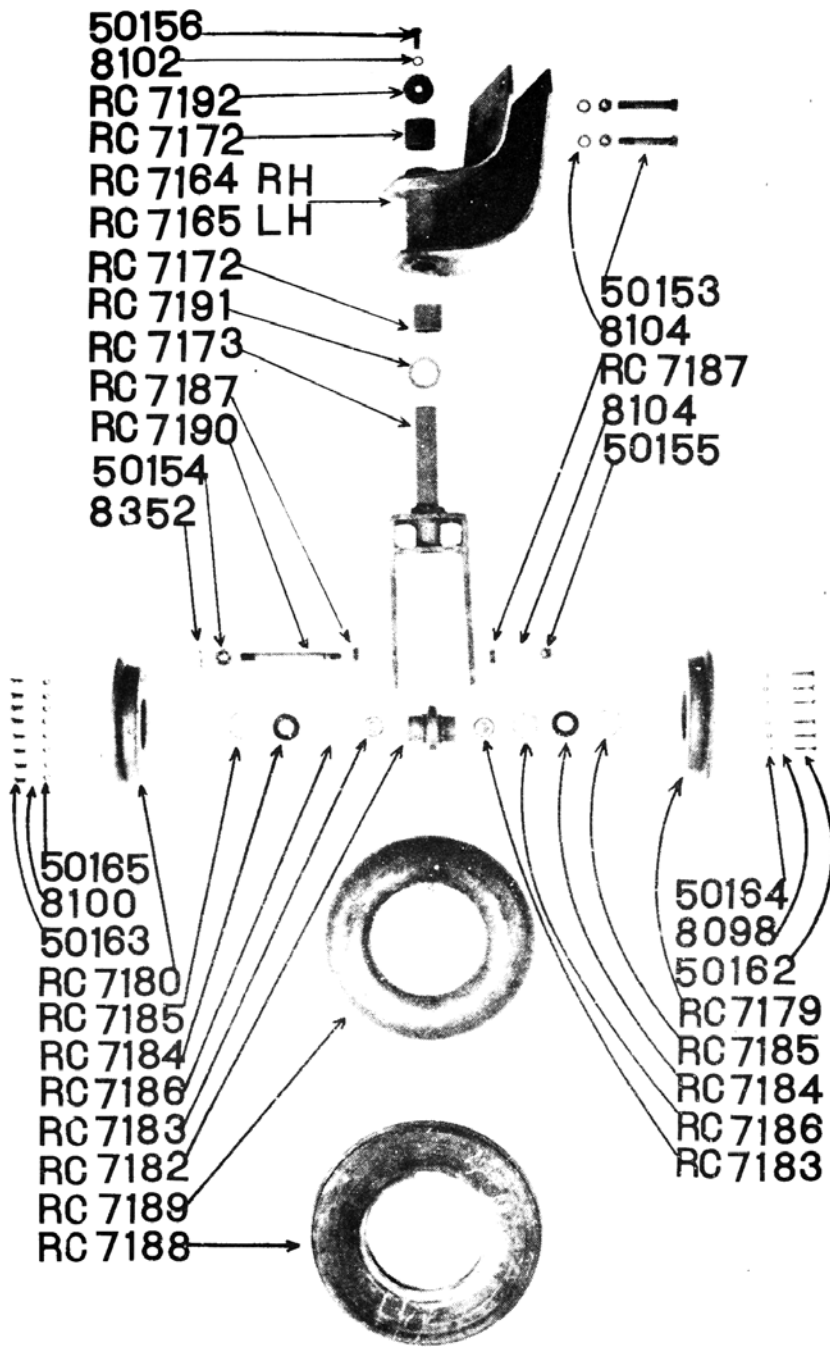


Figure 20  
Rocker Shaft & Lever Assembly Plate of Parts



**FRONT WHEEL  
 ASSFMRI Y**

Figure 21  
 Front Wheel Assembly Plate of Parts

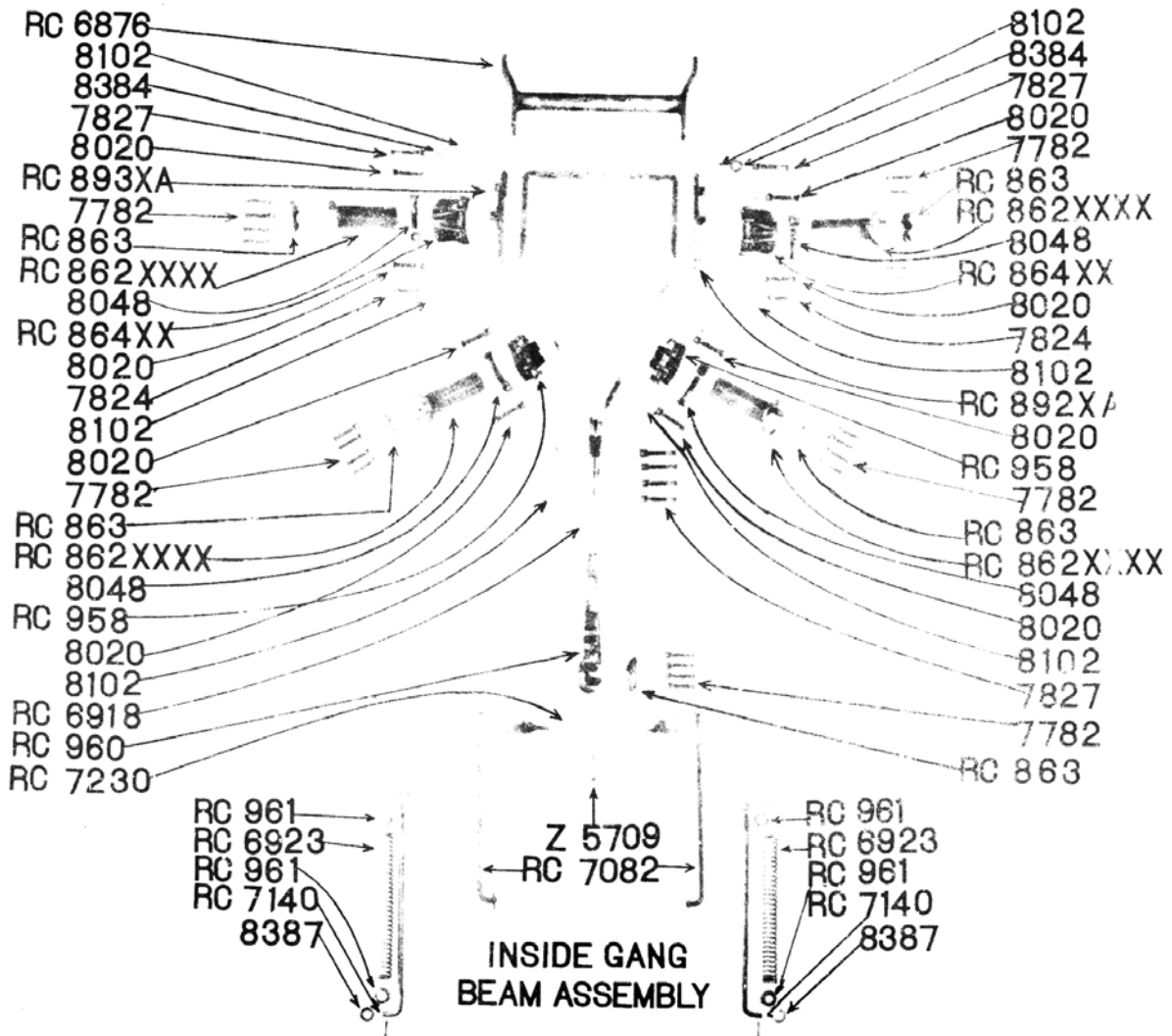


Figure 22  
 Inside Gang Beam Assembly Plate of Parts

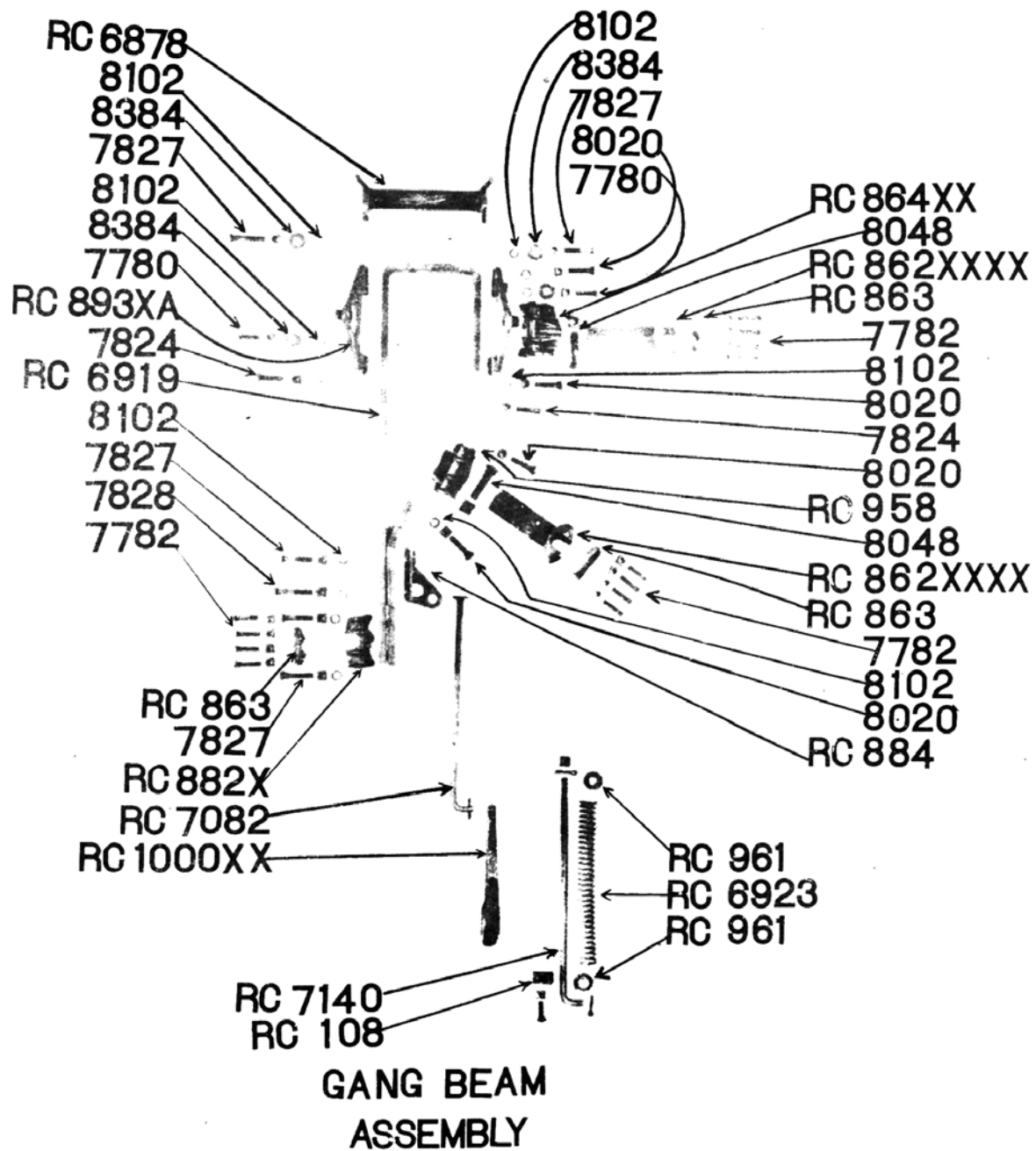


Figure 23  
Gang Beam Assembly Plate of Parts

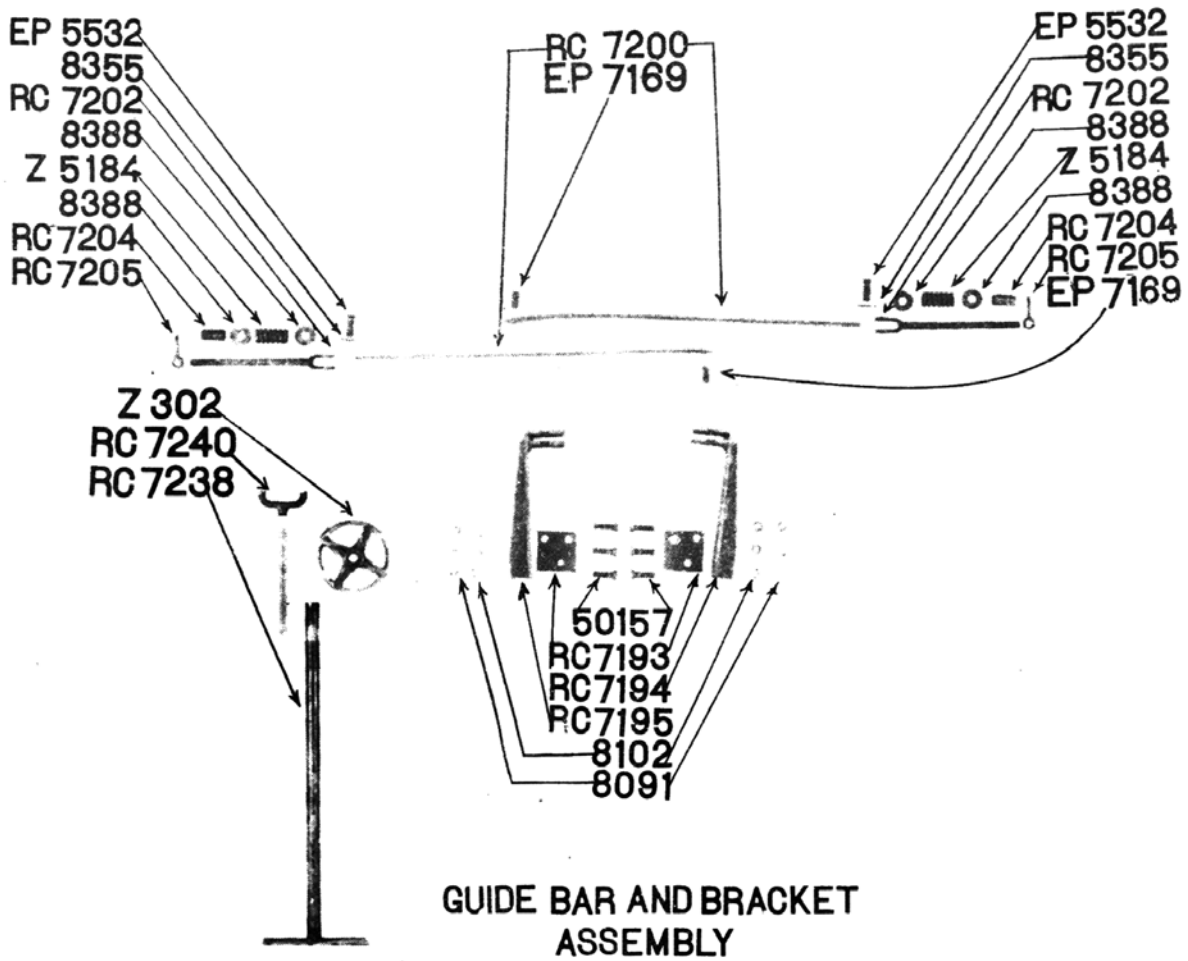
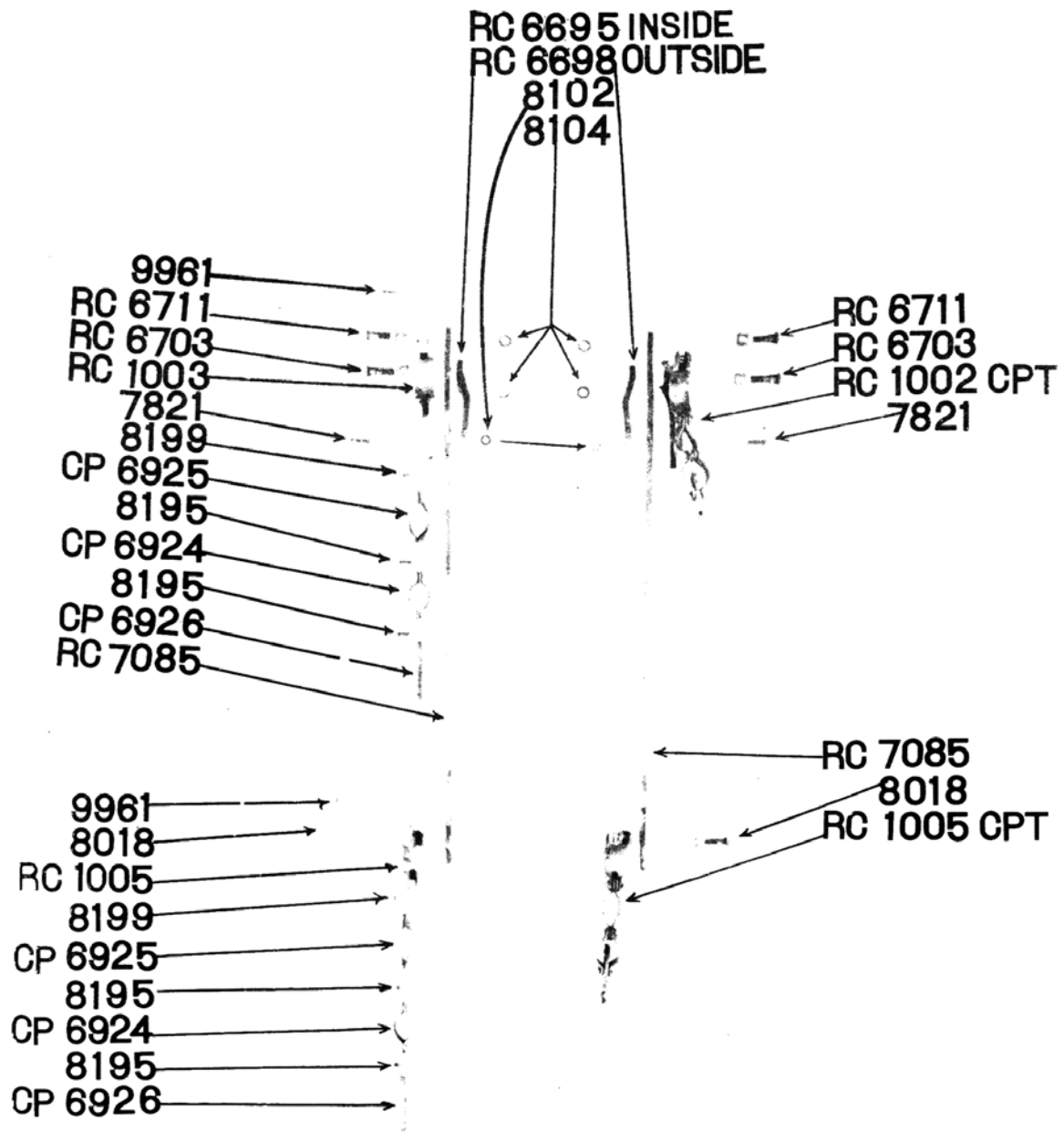
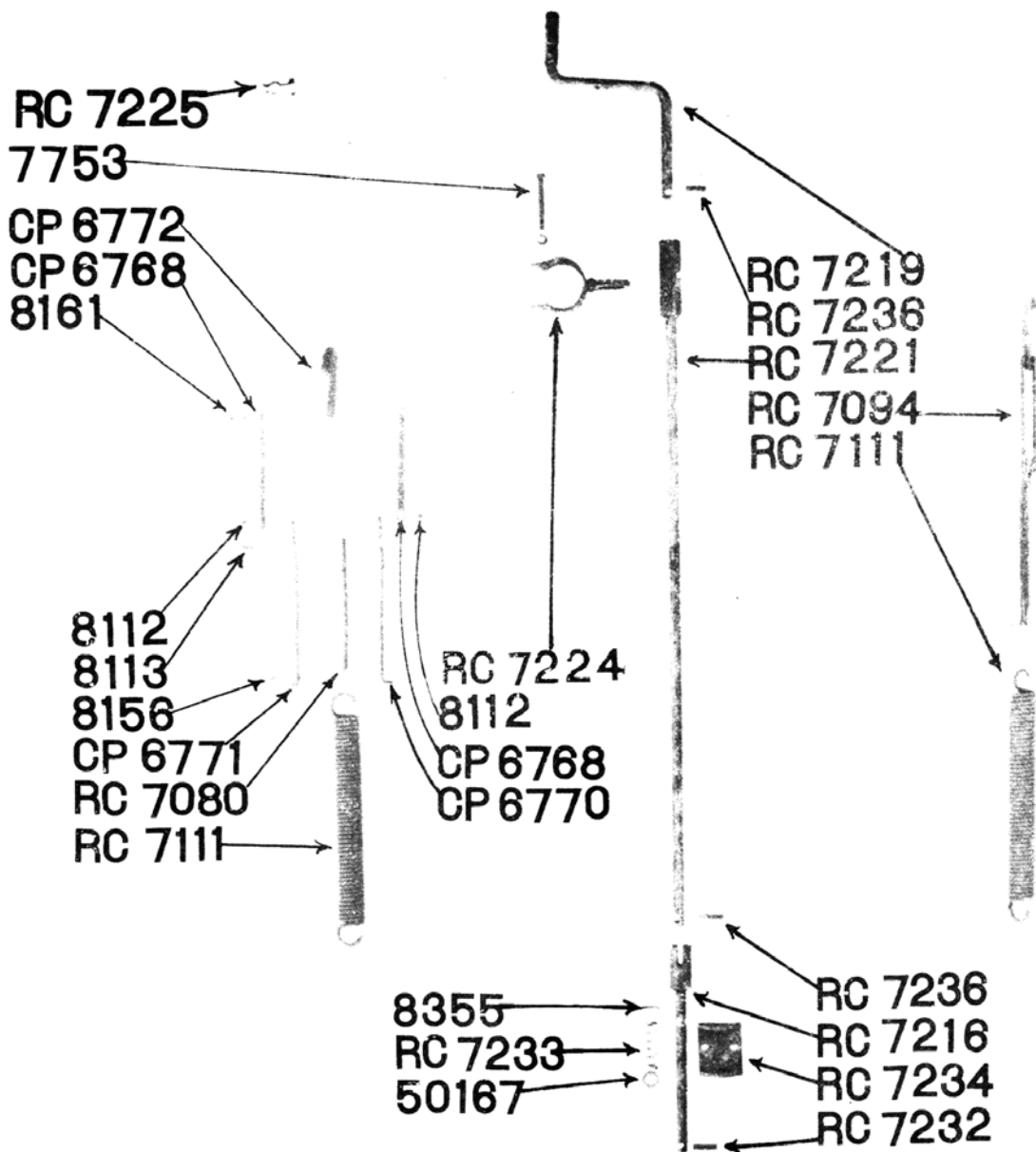


Figure 24  
 Guide Bar & Bracket Assembly Plate of Parts



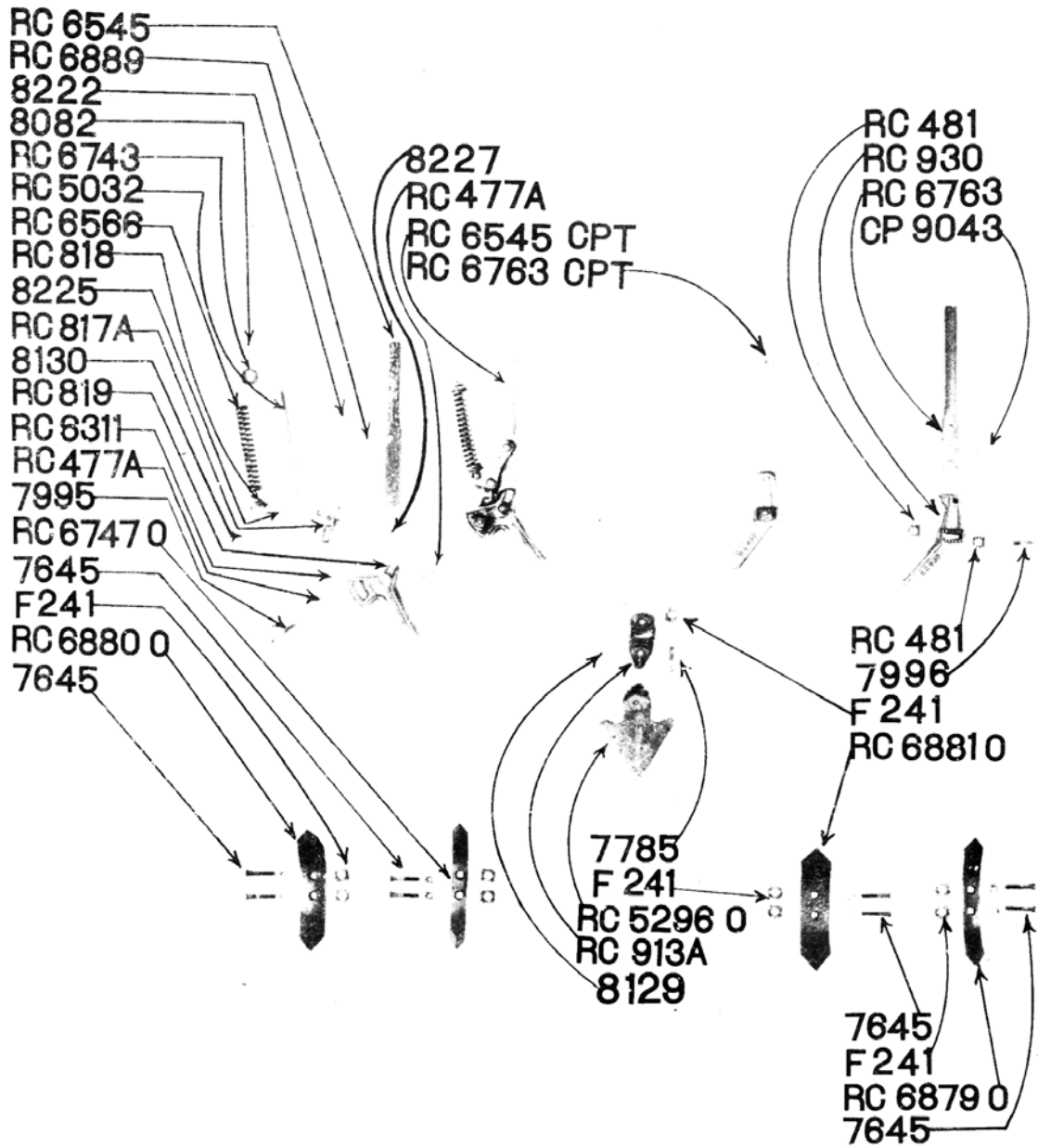
**GANG FRAME BAR  
 ASSEMBLY**

Figure 25  
 Gang Frame Bar Assembly Plate of Parts



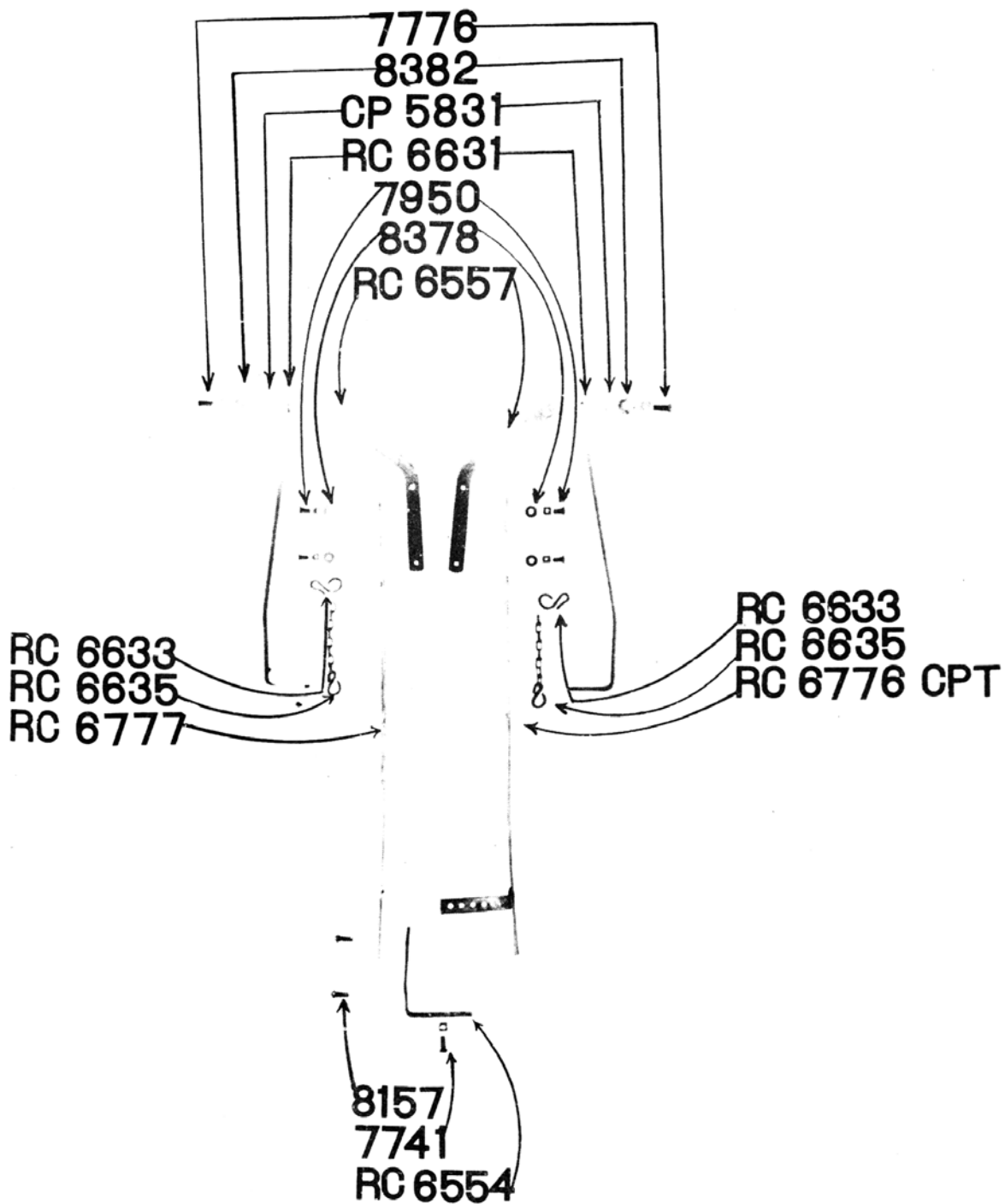
**STARTING CRANK  
AND LIFT SPRING  
ASSEMBLY**

Figure 26  
Starting Crank & Lift Spring Assembly Plate of Parts



**SHANK AND SHOVEL  
ASSEMBLY**

Figure 27  
Shank and Shovel Assembly Plate of Parts



## SHIELD ASSEMBLY

Figure 28  
Shield Assembly Plate of Parts

